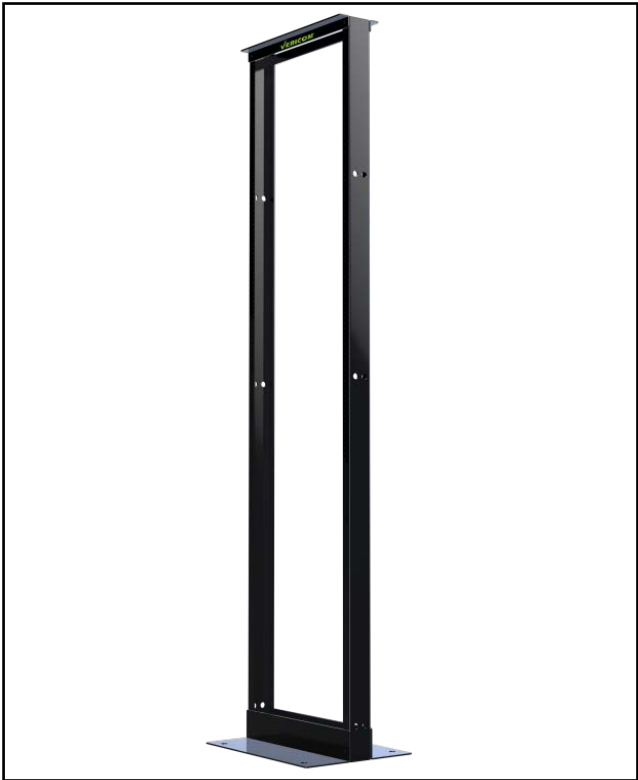




2 Post Steel Relay Racks (VR3)



Description

Vericom 2 Post Relay Racks are designed to work in a variety of rack system environments where a strong, stable, and durable relay rack is desired. With a small footprint that saves floor space, our 2 Post Relay Racks provide unrestricted airflow for maximum ventilation and easy access to cables for moves, adds, and changes.

Made from durable, high grade steel, our racks support up to 300 kgs/660 lbs of standard 19 inch EIA equipment. Available in a variety of heights, these racks feature 10-32 tapped holes on one side and cage holes on the other side (both sides include printed RU markings).

Product Specifications

Equipment Support	1.75" RU Spacing, Marked and Numbered on Rails 19" W, EIA-310-D Universal Hole Spacing 10-32 Threaded Holes, (10-32 Cage Holes)
Material	SPCC
Finish	Powder Coated
Static Loading Capacity	300kgs/660lbs.
Included Accessories	10-32 Mounting Screws & Washers Assembly Instructions

Benefits

Flexibility

- Open design provides exceptional airflow and fast / easy access to equipment
- Available in various sizes to fit individual needs

Key Features

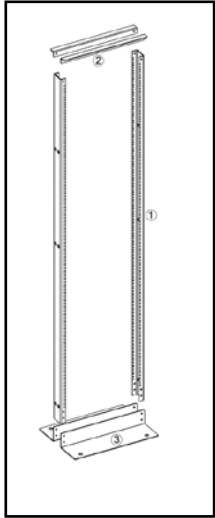
- 300kgs/660lbs load capacity
- Durable steel construction
- RU markings on rails simplify equipment installation
- Base plates are pre-drilled for mounting to floor
- Small footprint
- Flat packed and easy to assemble



2 Post Steel Relay Racks (VR3)

Main part

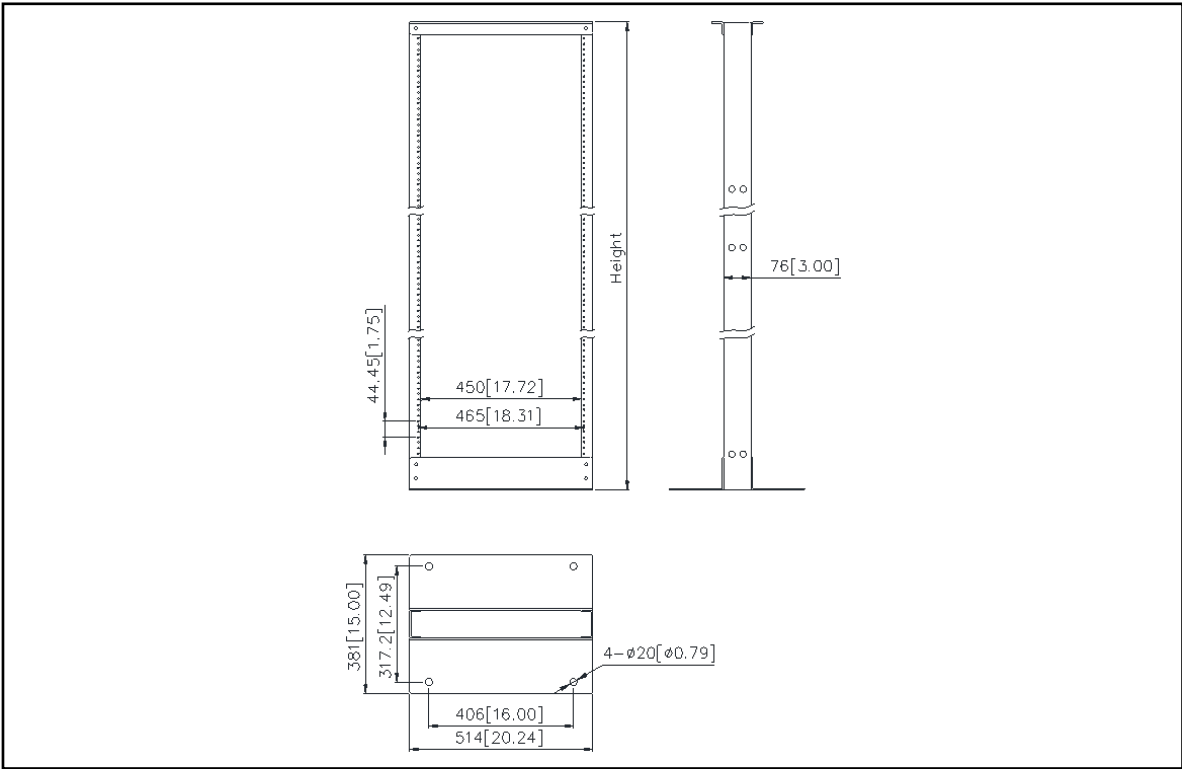
S/N	Name	Qty	Material	Surface Finish
1	Column	2	SPCC (2.0mm)	Powder Coated
2	Sheet Metal Bracket	2	SPCC (2.0mm)	
3	Sheet Metal Lower Bracket	2	SPCC (2.0mm)	



Optional Accessories

Part No.	Description
RASDS02	Double Sided Center Mount Shelf, 2U
RAMSFD1	Horizontal Cable Manager (Steel), 1U
RAMP5D1	Horizontal D-Ring Cable Manager, 1U
RAMSRG1	Steel Ring Cable Manager, 1U
RAMVF45	Vertical Finger Duct Cable manager, 44U

Item Number Configuration Technical drawing



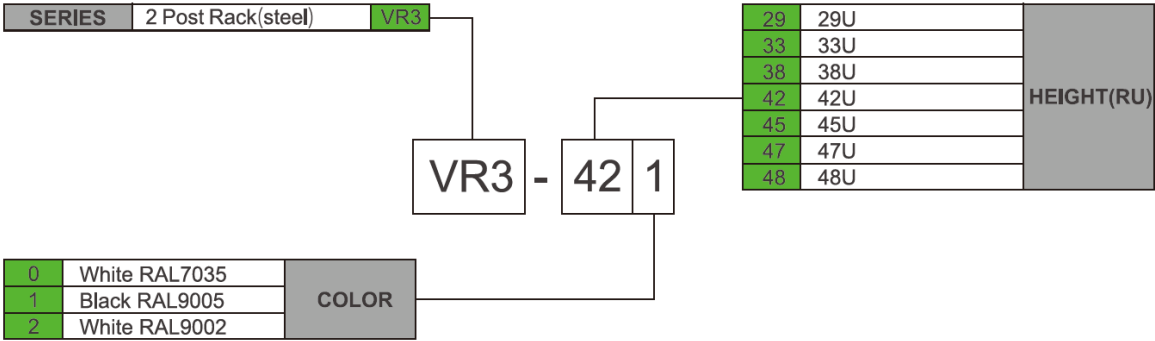
TECHNICAL SHEETS ARE SUBJECT TO CHANGE WITHOUT NOTICE.

REV.20200901.1



2 Post Steel Relay Racks (VR3)

Item Number Configuration



Ordering Information

Part No.	RU	Height mm[inch]	Width mm[inch]	Depth mm[inch]
VR3-29■	29	1422[56.00]	514[20.25]	381[15.00]
VR3-33■	33	1600[63.00]		
VR3-38■	38	1822[71.75]		
VR3-42■	42	2000[78.75]		
VR3-45■	45	2133[84.00]		
VR3-47■	47	2222[87.50]		
VR3-48■	48	2267[89.24]		

Note: Size and capacity can be customized.