



Fixed Single Section Wall Mount Cabinets (VW2)



Product Specifications

Front door	Removable, Reversible Completely Tempered Glass Front Door, Open Full 180°
Back Panel	Back Panel Removable, Completely Opened from the Back Wall Mounting Keyholes Spaced 440mm [17.32"] Apart
Side Panels	Full Height, Removable, Quick Release
Top Panel	Optional Fans (1) Knock-Out Type Cable Entry Holes Located on the Top
Bottom Panel	(1) Knock-Out Type Cable Entry Holes Located on the Bottom
Equipment Support	(4) Mounting Rails 1.75" RU Spacing 19" W, EIA-310-D Universal Hole Spacing
Grounding	14 AWG Ground Wire Connects Doors to Cabinet Frame
Finish	Powder Coated
Static Loading Capacity	60kgs/132lbs.
Included Accessories	(20) 12-24 Mounting Screws & Washers (1) Grounding Kits (1) Paper Mounting Template (2) Keys
Compliance	ANSI/EIA RS-310D IEC60297-2 DIN41494: Part 1 DIN41494: Part 7

Description

Vericom Fixed Single Section Wall Mount Cabinets are ideal solutions for small comprehensive cabling projects, intelligent communities, schools, and other projects where space is limited and requirements for equipment storage is minimal.

These compact yet durable cabinets feature a 60kgs/132lbs loading capacity, 180-degree swing open front door for easy access to cables and connections, and are easy to assemble and install.



Fixed Single Section Wall Mount Cabinets (VW2)

Benefits

Security & Protection

- Lockable doors and side panels prevent unauthorized access to equipment
- 4 rails provide a stable mounting structure
- Doors are grounded to the cabinet frame

Flexibility

- Multiple cable entry options provide greater flexibility during installation
- Doors and side panels are removable for convenient access to equipment

Multi-Use

- Available in multiple sizes to fit in a variety of environments where space is limited
- Adaptable for use in network, security and audio/video installations

Key Features

- Completely transparent tempered glass front door, quick open the side panel and rear panel, convenient and flexible
- The overall welding structure, firm structure, static load bearing of up to 60 kg/132lbs
- Top and bottom panel each have a knock-out type cable entry hole
- Adjustable front and rear angle gauge, back panel is removable and can be completely open from the back

Main Part

S/N	Name	Quantity	Material		Surface
1	Front Door	1	Tempered Glass Door, SPCC (1.2mm)		Powder Coated
3	Frame	1	SPCC (1.0MM)		Powder Coated
2	Side Panel	2	SPCC (1.2MM)		Powder Coated
NA	Mounting Profile	1	SPCC (1.2MM)		Powder Coated
5	Back Panel	1	SPCC (1.0MM)		Powder Coated
6	19" Rails	4	≤12U	SPCC (1.2MM)	Powder Coated
			>12U	SPCC (1.5MM)	Powder Coated
NA	M6 Screw & Nuts	10 (20pcs for over 12U)	Steel		Color Zinc
	Torx Tooling	1	Steel		Black

TECHNICAL SHEETS ARE SUBJECT TO CHANGE WITHOUT NOTICE.

REV.20200901.1



Fixed Single Section Wall Mount Cabinets (VW2)

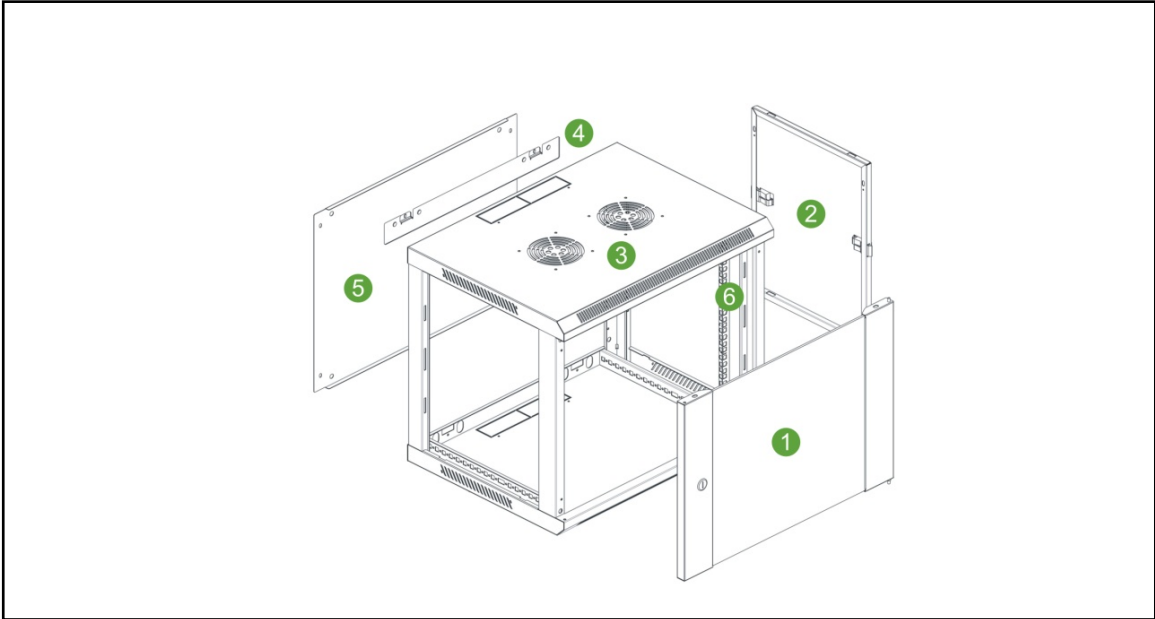
Standard Accessories

Items	Description
Locker	Small Round Lock
Bracket	2 or 4pcs
Screw & Nuts (10 or 20 Sets)	M6×12 Steel Surface with the Blue and White Zinc

Optional Accessories

Accessories	Description
Fans	1/2 Fan Unit
PDU	UK Type, German Type, US Type
Movable Shelf	19"

Technical Illustration



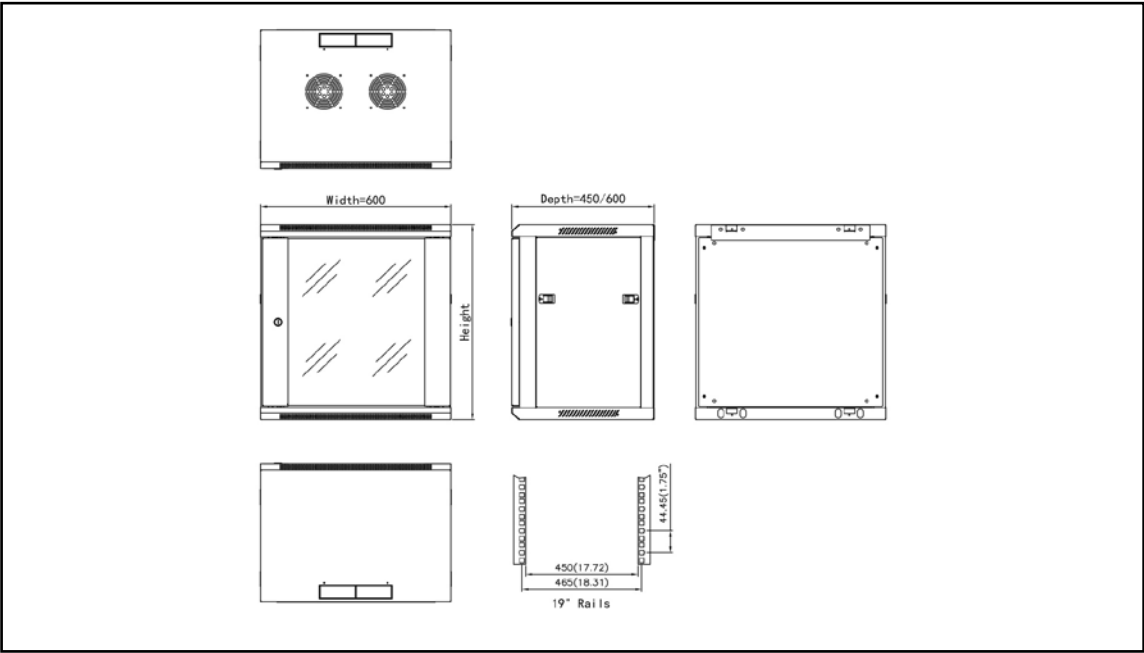
TECHNICAL SHEETS ARE SUBJECT TO CHANGE WITHOUT NOTICE.

REV.20200901.1

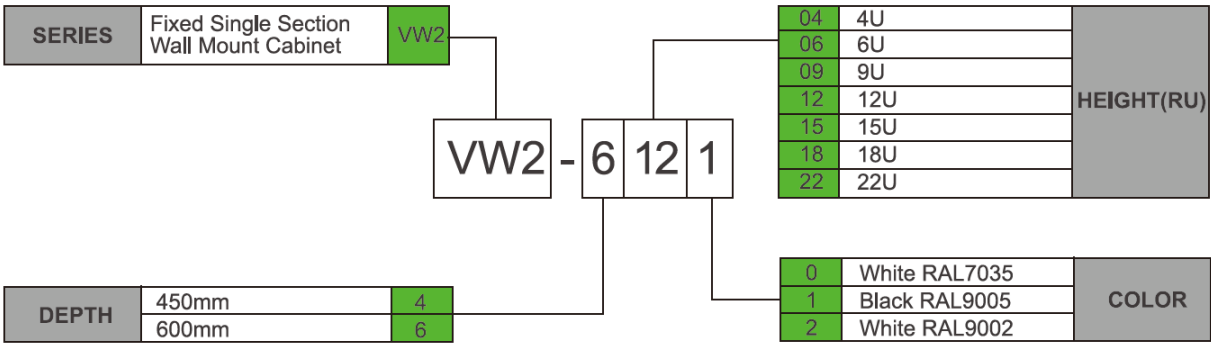


Fixed Single Section Wall Mount Cabinets (VW2)

Technical Drawing



Item Number Configuration





Fixed Single Section Wall Mount Cabinets (VW2)

Ordering Information

Part No.	RU	Height mm[inch]	Width mm[inch]	Depth mm[inch]
VW2-404 ■	4	281[11.06]	600[23.62]	450[17.71]
VW2-604 ■				600[23.62]
VW2-406 ■	6	370[14.57]		450[17.71]
VW2-606 ■				600[23.62]
VW2-409 ■	9	500[19.69]		450[17.71]
VW2-609 ■				600[23.62]
VW2-412 ■	12	635[25.00]		450[17.71]
VW2-612 ■				600[23.62]
VW2-415 ■	15	768[30.24]		450[17.71]
VW2-615 ■				600[23.62]
VW2-418 ■	18	902[35.51]		450[17.71]
VW2-618 ■				600[23.62]
VW2-422 ■	22	1079[42.48]	450[17.71]	
VW2-622 ■			600[23.62]	

Note: Size and capacity can be customized.