



High Density (Swing Out) Wall Mount Cabinets (VW4)



Description

Vericom High Density Swing Out Wall Mount Cabinets are built for heavy-duty, large scale applications. A perfect choice for networking projects requiring larger load capacities, the Vericom High Density Swing Out Wall Mount Cabinet is a fully welded frame of 1.5mm cold rolled steel that supports up to 113kgs/250lbs of networking equipment.

Features include a 90-degree swing-out hinge for easy access to cables and connections, heavy duty hinges and latches and six knockouts in the top and bottom of the rear section for cable management flexibility. Ships fully assembled and ready to be installed.

Product Specifications

| | |
|-------------------------|---|
| Front door | Removable, Reversible & Lockable Steel Frame with Full Panel Acrylic Window, Opens Full 180° |
| Back Panel | Swings Out from Wall 90° Heavy-duty Hinges 215.9mm[8.5"] x 381mm[15"] Knockout Panel Wall Mounting Keyholes Spaced 406.4mm[16"] Apart Multiple Lace Points |
| Side Panels | Full Height, Removable and Lockable |
| Top Panel | 133.35mm[5.25"] x 431.8mm[17"] Removable Panel for Optional Fans (6) Knock-Out Cable Entry Holes Located at Back: (4) 3" and (2) 1" Knockouts |
| Bottom Panel | (6) Knock-Out Cable Entry Holes Located at Back: (4) 3" and (2) 1" Knockouts |
| Equipment Support | (2) 12 Gauge Mounting Rails 1.75" RU Spacing, Marked and Numbered on Rails 19" W, EIA-310-D Universal Hole Spacing 12-24 Tapped Holes |
| Grounding | 14 AWG Ground Wire Connects Doors and Side Panels to Cabinet Frame |
| Finish | Black or White Powder Coated |
| Static Loading Capacity | 113kgs/250lbs. |
| Included Accessories | (48) 12-24 Mounting Screws & Washers (4) Grounding Kits (1) Paper Mounting Template (2) Keys |
| Compliance | ANSI/EIA RS-310D; IEC60297-2; DIN41494: Part 1; DIN41494: Part 7 |



High Density (Swing Out) Wall Mount Cabinets (VW4)

Benefits

Security & Protection

- Locking doors and side panels prevent unauthorized access to equipment
- 3.0mm rails provide a stable mounting structure
- Doors are grounded to the cabinet frame

Flexibility

- Multiple cable entry options provide greater flexibility during installation
- Doors and side panels are removable for convenient access to equipment
- Second pair of rails can be added for high density applications

Multi-Use

- Available in multiple sizes to fit in a variety of environments where space is limited
- Adaptable for use in network, security and audio/video installations

Key Features

- Rear hinge allows main section to swing out 90° and disconnects from cabinet for easy mounting
- Lockable acrylic front door is removable and reversible
- 12 gauge steel mounting rails with 12-24 tapped holes & RU markings for easy equipment installation
- Heavy-duty design allows for weight capacity of 113kgs[250 lbs]

Main part

| S/N | Specification | Qty | Material | Surface Finish |
|-----|--|-----|--------------------|----------------|
| 1 | Frame | 1 | SPCC t2.0 | Powder Coated |
| 2 | 3U Blank Panel | 1 | SPCC t1.0 | Powder Coated |
| 3 | Back Box | 1 | SPCC t2.0 | Powder Coated |
| 4 | Side Panel | 2 | SPCC t1.0 | Powder Coated |
| 5 | 19 " Rails | 4 | SPCC t3.0 | Powder Coated |
| 6 | Front Door | 1 | 4MM PMMA/SPCC t1.2 | Powder Coated |
| 7 | #12-24 Large Flat Head Cross Slotted Screw | 48 | Steel | Black Zinc |



High Density (Swing Out) Wall Mount Cabinets (VW4)

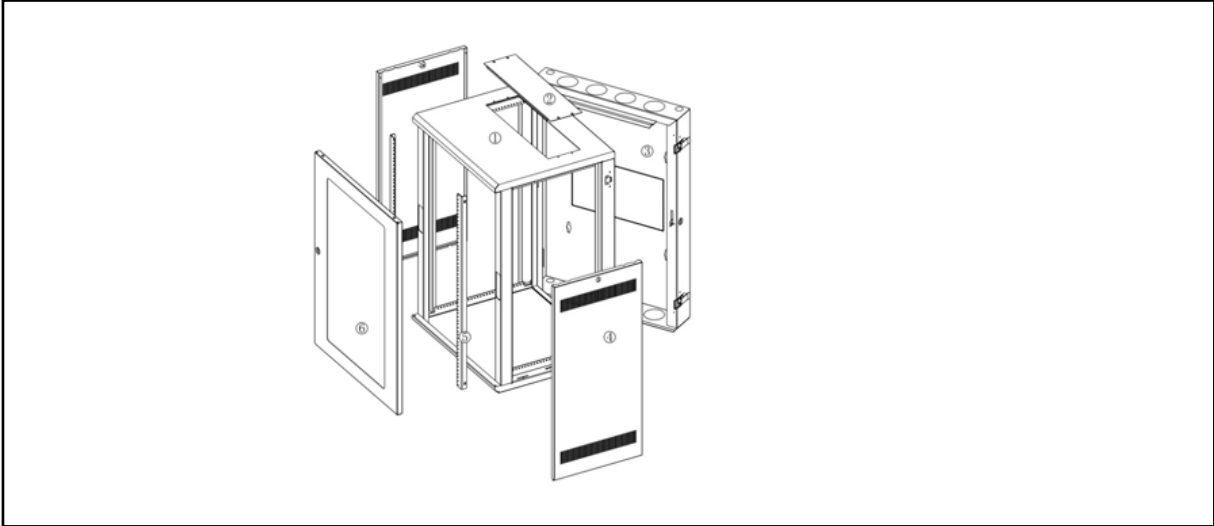
Standard Accessories

| Items | Description |
|------------------------------|--|
| Locker | Small Round Lock |
| Screw & Nuts (10 or 20 Sets) | M6×12 Steel Surface with the Blue and White Zinc |

Optional Accessories

| Accessories | Description |
|-------------|-------------------------------|
| Fans | 1/2 Fan Unit |
| PDU | UK Type, German Type, US Type |

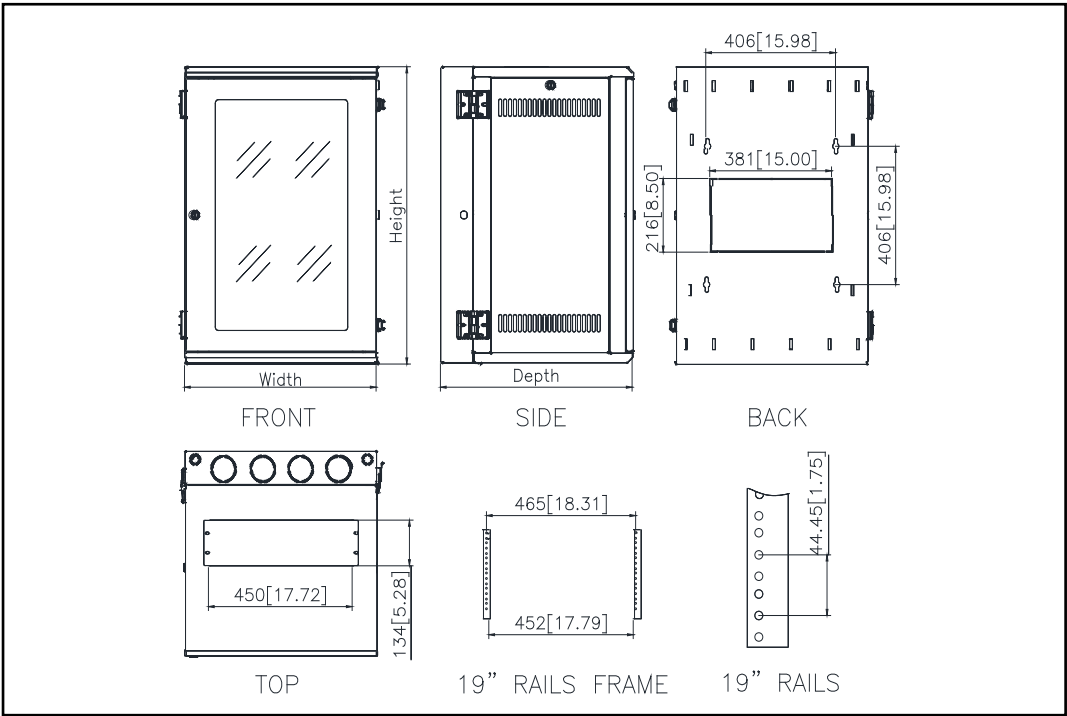
Technical Illustration



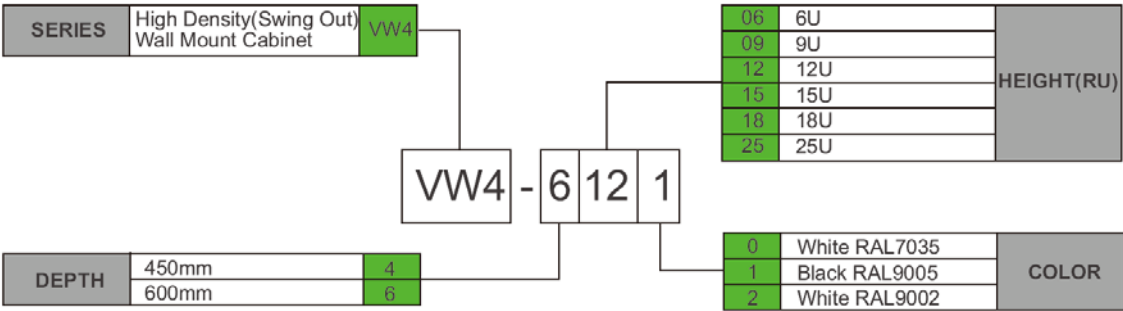


High Density (Swing Out) Wall Mount Cabinets (VW4)

Technical Drawing



Item Number Configuration





High Density (Swing Out) Wall Mount Cabinets (VW4)

Ordering Information

| Part No. | RU | Height mm[inch] | Width mm[inch] | Depth mm[inch] |
|----------|----|-----------------|----------------|----------------|
| VW4-406 | 6 | 333[13.11] | 600[23.62] | 450[17.71] |
| VW4-606 | | | | 600[23.62] |
| VW4-409 | 9 | 468[18.43] | | 450[17.71] |
| VW4-609 | | | | 600[23.62] |
| VW4-412 | 12 | 600[23.62] | | 450[17.71] |
| VW4-612 | | | | 600[23.62] |
| VW4-415 | 15 | 735[28.94] | | 450[17.71] |
| VW4-615 | | | | 600[23.62] |
| VW4-418 | 18 | 868[34.17] | | 450[17.71] |
| VW4-618 | | | | 600[23.62] |
| VW4-425 | 25 | 1180[46.46] | | 450[17.71] |
| VW4-625 | | | | 600[23.62] |

Note: Size and capacity can be customized.