

LC Backbone Harness

Description

LC backbone harnesses is used as the pre-terminated backbone cables between the cabinets in data centers, and generally it is connected with patching modules, and works as equipment patch cords for switches and servers.

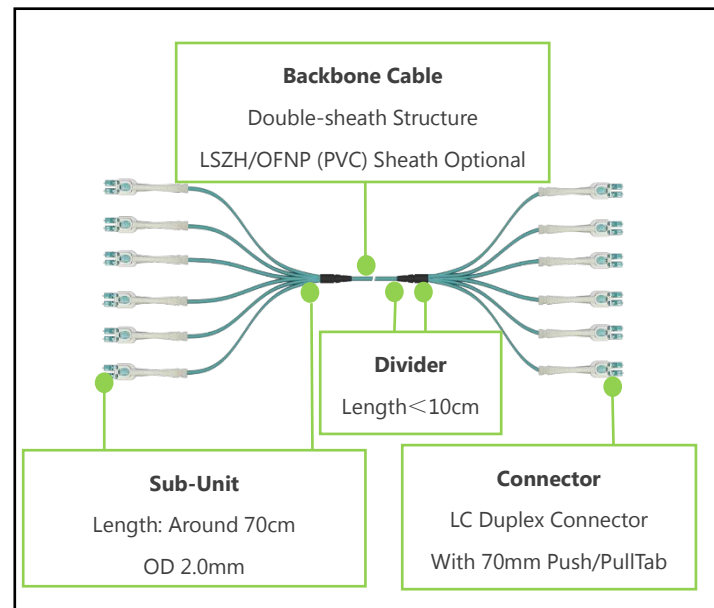
Features & Benefits

- 12 cores and 24 cores available
- Compact divider
- Simple and fast fixation
- Small diameter
- Traceable LC duplex connector
- Push-pull tab for easy operation
- SM (G657A2), OM3, OM4, OM5 fibers available
- Customized fan-out lengths
- Colored sheath for easy identification

Compliance & Standards

- ISO/IEC 24764
- ISO/IEC 11801-5
- ANSI/TIA-942-A/B
- EN50173-5

Drawing



Applications

- Data Center
- Telecommunication Infrastructure



LC Backbone Harness

Product Specifications

Structure	Indoor Non-metallic OFC, Aramid Yarn, Double Sheaths	
Polarity	A-B/B-A	
Sheath Color	Single Mode	Yellow
	OM3	Aqua
	OM4	Violet
	OM5	Lemon Green
Operating Temperature (°C)	-10~60	
Durability	≥100 times	
Color of Connector	Single Mode (PC)	Blue & White
	Single Mode (APC)	Green & White
	OM3/OM4/OM5	Aqua & White
Density	Insertion Loss (dB)	Return Loss (dB)
Single Mode APC	Std<0.3, ULL<0.25	>50 (Length: >3m)
OM3	Std<0.25, ULL<0.15	>20 (Length: >3m)
OM4	Std<0.25, ULL<0.15	>20 (Length: >3m)
OM5	Std<0.25, ULL<0.15	>20 (Length: >3m)

Mechanical Performance

Mechanical Data	Test Standard	/	Value
Max Tensile Strength(N)	IEC60794-1-2 E1	Installation	150N
Min Bending Radius(mm)	IEC60794-1-2 E11	Installation	145mm
		Operation	95mm



LC Backbone Harness

Ordering Information

Part No.	Description	
VR-LC/A+LC/B-C-D-E-F-G	LC Backbone Harness	
A, B	Connector Type	None=PC, APC=APC
C	Fiber Type	SM, OM3, OM4, OM5
D	Fiber Core	8, 12, 24
E	Length	XXX=Xm (001=1m)
F	Sheath	None=LSZH, P=OFNP
G	Insertion Loss	None=Standard, U=ULL

Example: VR-LC/PC+LC/PC-OM3-12-015

Product Name: Backbone Harness, LC Duplex, 12 Core, OM3, Double LSZH Sheaths, 15 Meters