



MTP/MPO-LC Backbone and Equipment Harness

Description

MTP/MPO-LC backbone & equipment harness is for the conversion and connection from the backbone MTP/MPO to LC duplex connectors on the switch, server, and other optical equipment.

MTP/MPO-LC harness could be inserted into the equipment quickly and directly, and offers fast and easy removes, additions and replacements. Although LC duplex connectors are widely used in 1G and 10G Ethernet and 4G, 8G, 16G and 32G fiber channel, but in the future this connection will be changed to MTP/MPO as parallel fiber optical cables can provide higher data transmission rates.

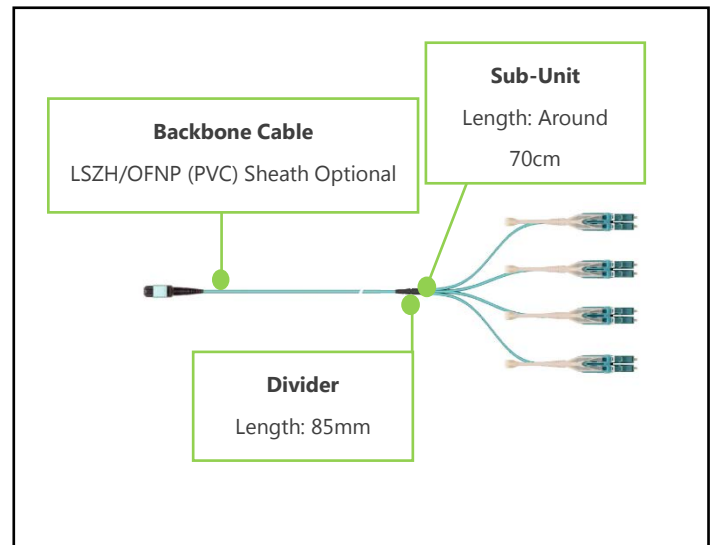
Features & Benefits

- SM, OM3, OM4, OM5 fiber available
- Plug and Play
- Round cable structure with small diameter
- LSZH sheath
- Low space occupancy in the cable tray and rack
- Easy operation and deployment
- Direct and fast cabling installation
- SM and MM MTP/MPO to low-loss duplex LC connector
- LC uniboot with switchable polarity
- Push-pull tab for easy operation and deployment
- Backbone part adopts double sheaths
- Colored sheath for easy identification

Compliance & Standards

- ISO/IEC 24764
- ISO/IEC 11801-5
- ANSI/TIA-942-A/B
- EN 50173-5

Drawing



Applications

- Data Center
- Telecommunication Infrastructure



MTP/MPO-LC Backbone and Equipment Harness

Product Specifications

Structure	Indoor Non-metallic OFC-Aramid Yarn		
Cable Diameter	Sub-unit	Single Tube 2 Cores	2.0mm
	Backbone Cable with Double Sheaths	8, 12, 24 Cores	4.0mm
Sheath Color	Single Mode		Yellow
	OM3		Aqua
	OM4		Violet
	OM5		Lemon Green
Sheath Material	LSZH, PVC (OFNP)		
Tensile	50N		
Operating Temperature (°C)	-10~60		
Durability	≥100 times		
Density	MPO Insertion Loss (dB)	Return Loss (dB)	
Single Mode APC	Std<0.7, ULL<0.35	> 50 (Length: >3m)	
OM3	Std<0.35, ULL<0.25	> 20 (Length: >3m)	
OM4	Std<0.35, ULL<0.25	> 20 (Length: >3m)	
OM5	Std<0.35, ULL<0.25	> 20 (Length: >3m)	

Mechanical Performance

Mechanical Data	Test Standard	Condition	Parameter
Max Tensile Strength(N)	IEC60794-1-2 E1	Installation	150N
Min Bending Radius(mm)	IEC60794-1-2 E11	Installation	145mm
		Operation	95mm



MTP/MPO-LC Backbone and Equipment Harness

Ordering Information

Part No.	Description	
VR-A/B/D+LC/C-E-F-G-H-I-J	MTP/MPO-LC Backbone and Equipment Harness	
A	Connector	MPO 8, MPO 12, MPO 20, MPO 24, MTP 8, MTP 12, MTP 20, MTP 24
B, C	Connector Type	PC, APC
D	Connector Gender	M=Male, F=Female
E	Fiber Type	SM, OM3, OM4, OM5
F	Polarity	A=A-B/B-A, B=A-A/B-B
G	Fiber Core	8, 12, 20, 24
H	Length	XXX=X m (001=1m)
I	Outer Sheath	None=LSZH, P=OFNP
J	Insertion Loss	None=Standard, U=ULL

Example: VR-MPO8/PC/F+LC/PC-OM3-A-8-010

Product Name: Equipment Harness, MPO 8 Female to LC Duplex, 8 Cores, OM3, Polarity A, LSZH Sheath, 10 Meters