



Single/Double Fan



Description

Vericom is pleased to offer these 2 Fan Cooling Module Cabinets. As an optional accessory designed for use with Vericom's single and double wall mount cabinets, this modular 2-fan cooling unit delivers exceptional airflow for those applications that require additional cooling.

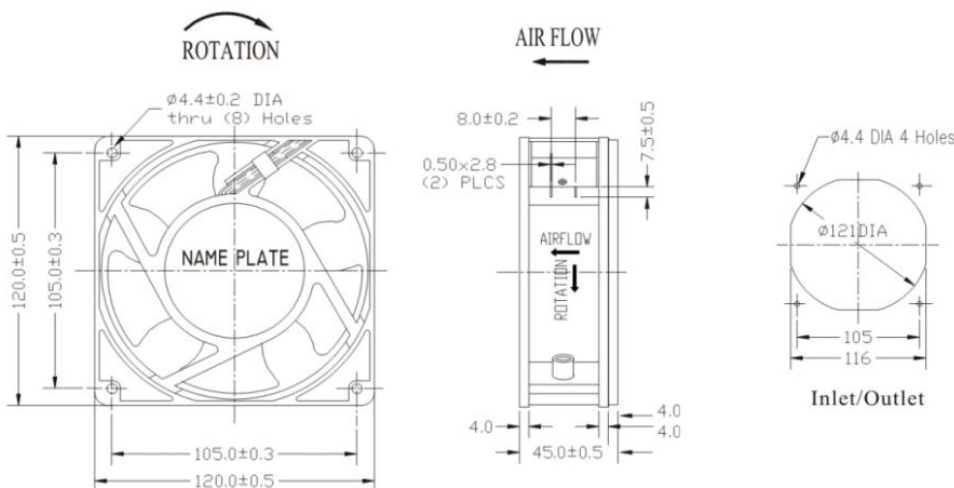
Ordering Information

Part No.	RU	Description	Compatibility
RAFND02	N/A	Double Fan, 150CFm	Wall Mount Cabinets
RAFNS01	N/A	Single Fan, 75CFM	
RAFLT04	N/A	Filter Kit	75CFM Fans

Product Specifications

- Product Type: Single/Double Fan
- Impeller Material: PBT Reinforced Plastic
- Dimensions (H x W x D): 4.72" x 4.72" x 1.77" (ea)
- Motor: Shade Pole Induction Motor
- Bearing System: Sleeve
- Cord Length: 7 ft
- Operating Temperature: -10°C ~ 70°C
- Voltage: 100 ~ 125 VAC (Per Fan)
- Frequency: 50 - 60 Hz (Per Fan)
- Current: 0.24 Amps (Per Fan)
- Power: 10/9 Watts (Per Fan)
- Speed: 2100 / 2400 RPM
- Noise: 35/40 dBA (Per Fan)
- Airflow: 75CFM (Per Fan)
- Static Pressure: 3.1/4.1 (mmH2O) (Per Fan)
- Weight: 540g (Per Fan)
- Compliance & Standards: CE & RoHs Compliant
- Quantity Per Package: 1 (set of 2)

Technical Drawing



TECHNICAL SHEETS ARE SUBJECT TO CHANGE WITHOUT NOTICE.

REV.20200901.1