



Single Section Wall Mount Cabinets (VW7)



Product Specifications

Front door	Reversible, Completely Tempered Glass Front Door, Open Full 180°
Side Panels	Full Height, Removable and Quick Release
Top Panel	Optional Fans (1) Knock-out Type Cable Entry Hole
Bottom Panel	(1) Knock-out Type Cable Entry Hole
Equipment Support	(4) Mounting Rails 1.75" RU Spacing 19" W, EIA-310-D Universal Hole Spacing
Finish	Powder Coated
Grounding	14AWG Ground Wire Connects Doors to Cabinet Frame
Static Loading Capacity	50kg/110lbs.
Included Accessories	M6x 12 Mounting Screwing & Washers Grounding Kits Keys

Description

Vericom Single Section Wall Mount Cabinet VW7 is ideal for storage of industry standard hardware, including network solutions such as network switches and patch panels required for Edge computing. Compact 19" cabinet for small network, under table or desktop cabinet, wall mounted or standing cabinet with benefits of its small size, is a fully welded frame of 14 gauge cold rolled steel that supports up to 50 kg /110 lbs loading capacity and characterized by a 180-degree swing open front door for easy access to cables and connections. Ship fully assembled reducing the time required to install equipment.



Single Section Wall Mount Cabinets (VW7)

Benefits

Security & Protection

- Locking doors and prevent unauthorized access to equipment
- 4 rails provide a stable mounting structure
- Doors are grounded to the cabinet frame

Flexibility

- Multiple cable entry options provide greater flexibility during installation
- Doors, side panels and rear panel are removable for convenient access to equipment

Multi-Use

- Available in multiple sizes to fit in a variety of environments where space is limited
- Adaptable for use in network, security and audio/video installations

Key Features

- Completely smoky tempered glass front door
- Quick release and removable side panels
- The overall welding structure, firm structure, static load bearing of up to 50 kg/110lbs loading capacity
- Knock-out cable entry panel on the top and bottom
- Adjustable front and rear rails for flexible installation
- Ships fully assembled allows for fast deployment

Main Part

S/N	Specification	Qty	Material	Surface Finish	Remark
1	Frame	1	SPCC t1.0	Powder Coated	----
2	Side Panel	2	SPCC t1.0	Powder Coated	----
3	Front Door	1	5MM Tempered Glass	----	----
4	19" Rails	4	SPCC t1.05	Powder Coated	----



Single Section Wall Mount Cabinets (VW7)

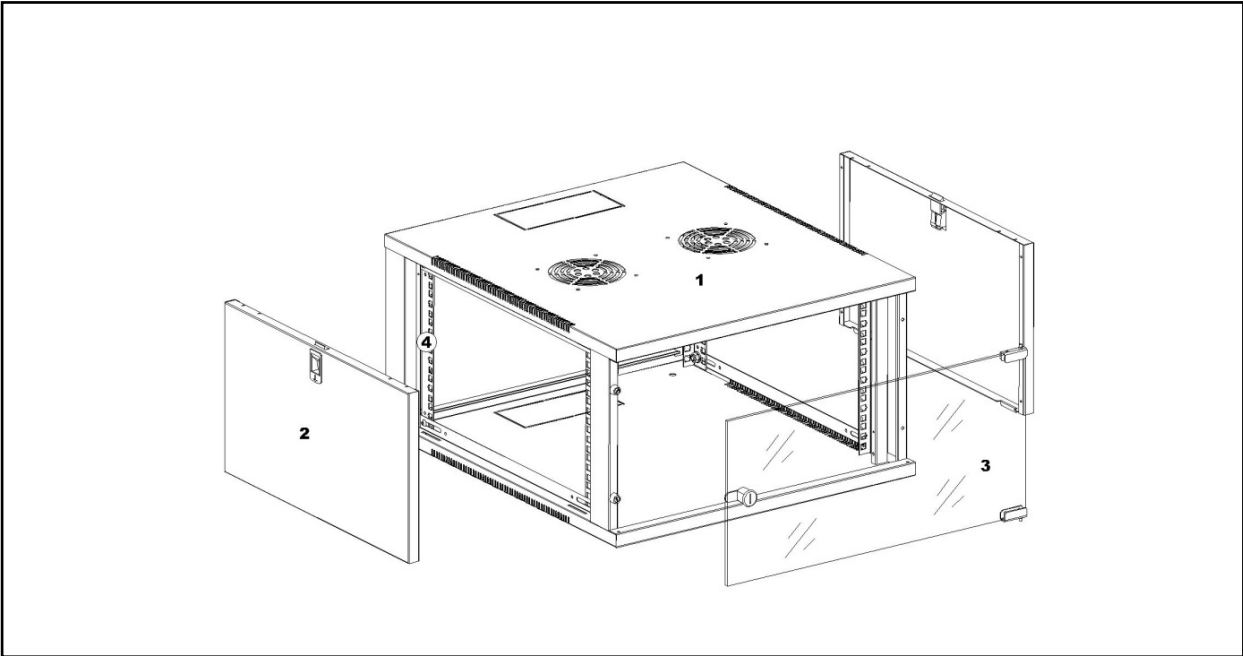
Standard Accessories

Items	Description
Torx tooling	Steel & Color Zinc
Screw & Nets (20 Sets for over 12U)	M6×12 Steel Surface with the Blue and White Zinc

Optional Accessories

Accessories	Description
Fans	1/2 Fan Unit
PDU	UK Type, German Type, US Type

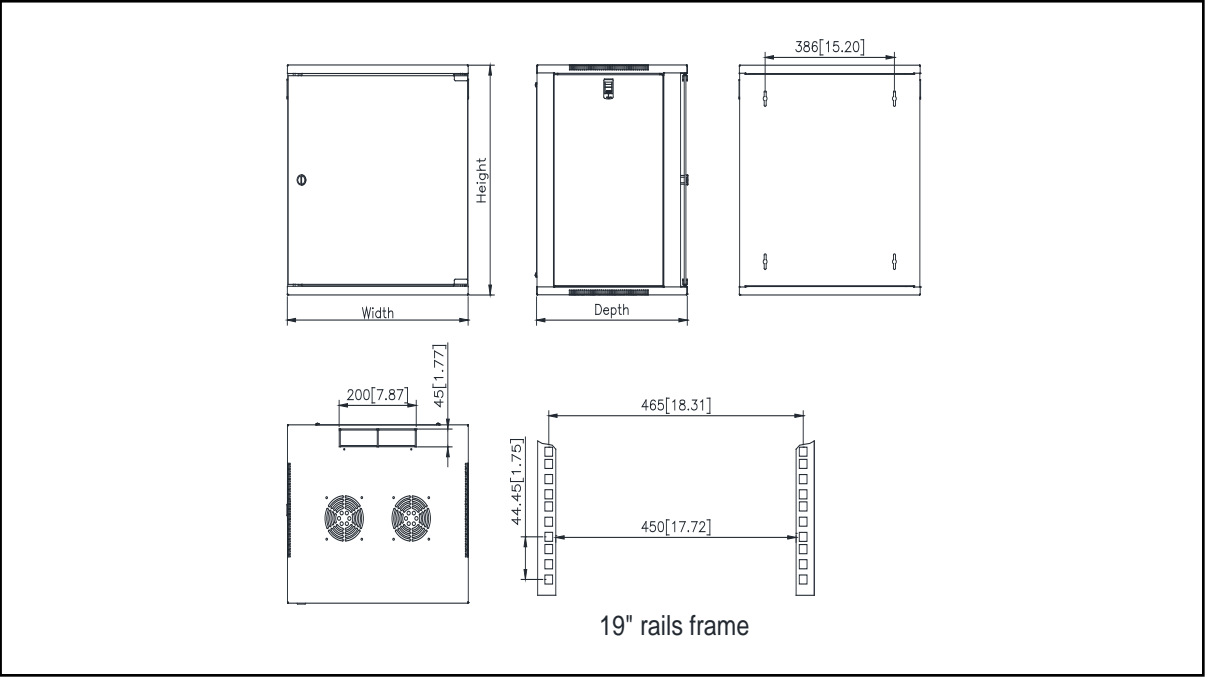
Technical Illustration



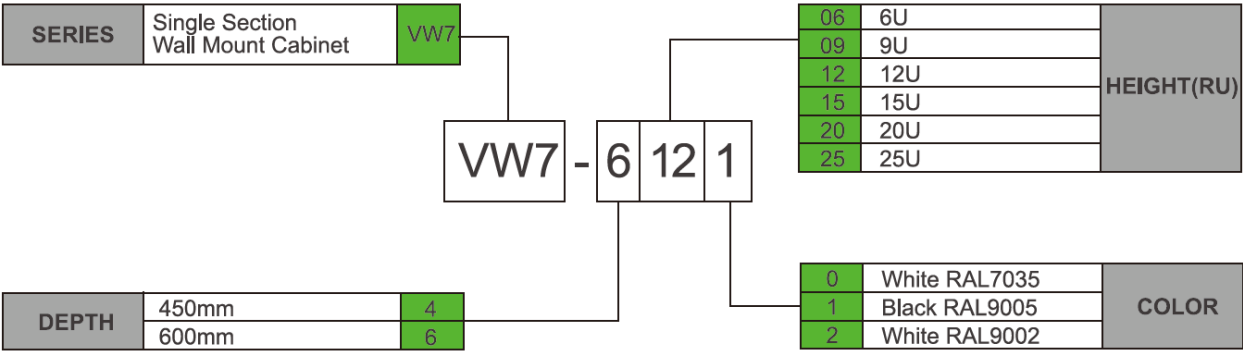


Single Section Wall Mount Cabinets (VW7)

Technical Drawing



Item Number Configuration





Single Section Wall Mount Cabinets (VW7)

Ordering Information

Part No.	RU	Height mm[inch]	Width mm[inch]	Depth mm[inch]
VW7-406■	6	315[12.40]	540[21.26]	450[17.71]
VW7-606■				600[23.62]
VW7-409■	9	450[17.71]		450[17.71]
VW7-609■				600[23.62]
VW7-412■	12	580[22.83]		450[17.71]
VW7-612■				600[23.62]
VW7-415■	15	715[28.15]		450[17.71]
VW7-615■				600[23.62]
VW7-420■	20	935[36.81]		450[17.71]
VW7-425■	25	1160[45.67]		600[23.62]

Note: Size and capacity can be customized.