

# VERICOM®

The Future Of Technology - Today.

## Racks, Cabinets, & Infrastructure



## Cable Tray Solutions

# VERICOM®



**Vericom Global Solutions**  
10025 Investment Drive, Suite 120  
Knoxville, TN 37932, USA  
T: (865) 671-4455  
E: [sales@vericomsolutions.com](mailto:sales@vericomsolutions.com)

**All Other International Inquires**  
E: [international@vericomsolutions.com](mailto:international@vericomsolutions.com)





**VERICOM<sup>®</sup>**

The Future Of Technology - Today.





## The Future Of Technology - Today.

# About Vericom

## Our Story

*Vericom Global Solutions is a leading provider of network infrastructure and connectivity solutions for enterprise, government, and operator markets. With global headquarters in Knoxville, TN, we provide best-in-class solutions to more than 30 countries worldwide.*

*We deliver a comprehensive product portfolio designed to meet our customers' network infrastructure needs in an increasingly connected world through our global network of distributors and integrators.*

*In addition to our innovative design, engineering and manufacturing capabilities, we are the relationship of choice for a diverse family of clients worldwide who are confident in our ability to consistently perform to a standard of excellence that is without equal in the industries we serve.*

## Why Vericom

*When partnering with Vericom, customers unlock the support of a global team of industry experts. Our emphasis is on quality, reliability, compatibility and standards-compliant products. Vericom utilizes our global distribution network to provide a comprehensive end-to-end infrastructure and connectivity solutions approach to meet the customer needs in the industries served.*



## Cable Tray Solutions

Driven by the Internet of Things, the cloud, and the increased deployment of data centers, network connectivity is reaching every aspect of our lives and workings, meanwhile brings a large scale of cable installations within industrial or commercial buildings, so the cable management is now becoming one of the major tasks in the construction of network infrastructure.

Vericom Global Solutions can offer a wide range of fiber cable trays and wire mesh basket trays for different applications that are used to replace electrical duct systems and support insulated cables for power distribution, control and communication. Since new cables can be installed by placing them in trays instead of passing through ducts, the solutions not only reduce installation time, but also create convenient adjustment and maintenance, especially in case the cable runs are going to be reconfigured.

## Applications

### 1 Data Center

With the rapid development of network construction, large-scale data centers have begun to be built, where contain a significant number of cables to accommodate the network's high-volume, high-density connections. Vericom cable tray solutions can support different cable types to serve a crucial purpose in a data center facility. What's more, they provide easy access for the addition or removal of cables, as well as the ability to separate communications cables from power cables to minimize signal interference.



### 2 Industrial

Digital transformation is having such a dramatic impact on manufacturing today. With the rise of automatic workshops, more and more cables are being used for the connections between intelligent devices. To manage these cables properly in the harsh industrial environments, Vericom cable tray solutions are available in different types of finishes for long service life.



### 3 Enterprise

Since the impact of COVID-19, enterprises around the world start the office automation and digitization, and CIOs are trying to adopt online workflow platforms to allow people to work from home and lay the technology foundation for a future digital workplace. As the nervous system of enterprise network, cabling infrastructure shall be flexible and easy for cable installation to meet business growth, the increase of workers. Vericom cable tray solutions are designed with innovative ideas to help enterprises to save installation and maintenance cost.



# Contents

## Cable Tray Solutions

### Fiber Cable Tray

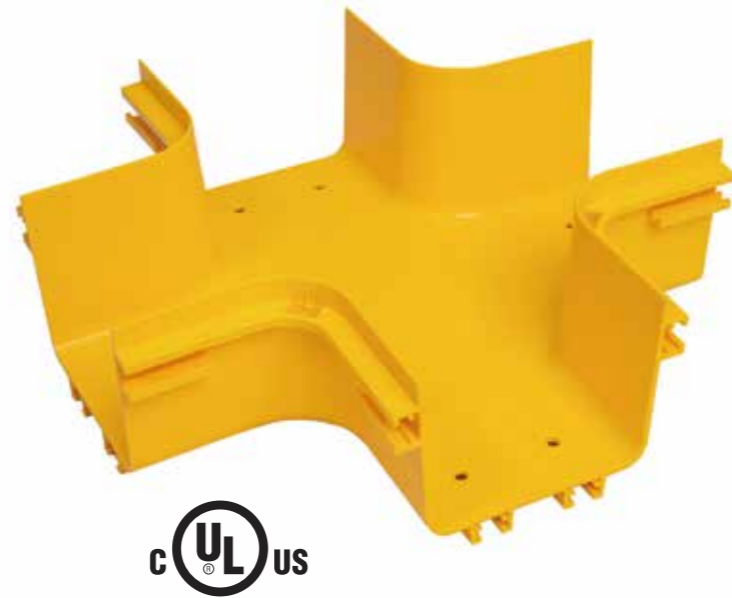
Introduction	01
Channels	02
Drops	07
Supports	10
Hardwares	12

### Wire Basket Tray

Introduction	13
Basket Tray	14
Splicing	17
Wall Mount Supports	21
Ceiling Mount Supports	24
Floor/Cabinet Mount Supports	26
Drops	28

Introduction

Vericom's Fiber Cable Tray System is a comprehensive raceway solution for data center, enterprise, central office, and mobile switching center applications. Designed to route and protect fiber optic and high-performance copper cabling to and from network cabinets, distribution frames, and other terminal devices, our system includes an extensive portfolio of channels, transitional fittings, drops, and support structures that provide the flexibility and configurability to fit any installation environment. And with tool-free assembly of all channel sections and transitional fittings, the Vericom Fiber Cable Tray System reduces installation and maintenance time, which in turn reduces the total cost of ownership.



**Key Features:**

- Available in 5" (120mm), 10" (240mm), and 15" (360mm) channel widths
- Minimum 2" (120mm) bend radius maintained throughout the system to prevent excessive cable bends that result in signal loss
- All plastic components are made from lightweight UL 94 V-0 flame rated material
- Conforms to UL 2024 Cable Routing Assemblies and Communications Raceways (E515097)
- Tool-free design makes assembly and installation fast and easy

Straight Channel



**Description**

Straight channel sections support and carry cables horizontally throughout a fiber cable routing system. Available in 6.5ft (2m) lengths, channels can be cut to size and connected to additional straight sections or transitional fittings such as elbows, tees, and crosses.

**Features**

- Tool-free installation
- Lightweight, flame-retardant PVC (V-0 rated)
- Requires couplers for connection (sold separately)

Item Number	Description	Dimensions (L x W x H)		
VCT-120SCP	5" (120mm) W x 4" (100mm) D x 6.5' (2000mm) L Straight Channel	6.5' (2000mm)	6.2" (158mm)	4.6" (118mm)
VCT-240SCP	10" (240mm) W x 4" (100mm) D x 6.5' (2000mm) L Straight Channel	6.5' (2000mm)	10.9" (278mm)	4.6" (118mm)
VCT-360SCP	15" (360mm) W x 4" (100mm) D x 6.5' (2000mm) L Straight Channel	6.5' (2000mm)	15.6" (396mm)	4.6" (118mm)
VCT-120SCPC	Cover for 5" (120mm) W x 4" (100mm) D x 6.5' (2000mm) L Straight Channel	6.5' (2000mm)	6.1" (155mm)	0.5" (12mm)
VCT-240SCPC	Cover for 10" (240mm) W x 4" (100mm) D x 6.5' (2000mm) L Straight Channel	6.5' (2000mm)	10.9" (278mm)	0.5" (12mm)
VCT-360SCPC	Cover for 15" (360mm) W x 4" (100mm) D x 6.5' (2000mm) L Straight Channel	6.5' (2000mm)	15.6" (396mm)	0.5" (12mm)

Horizontal 90° Elbow



**Description**

Connects to a straight channel section or other transitional fittings to provide a 90-degree horizontal bend in a fiber routing system.

**Features**

- Maintains minimum cable bend radius requirements
- Tool-free installation
- Lightweight, flame-retardant PVC (V-0 rated)
- Requires couplers for connection (sold separately)

Item Number	Description	Dimensions (L x W x H)		
VCT-120HE91	5" (120mm) Horizontal 90° Elbow	10.1" (258mm)	10.1" (258mm)	4.6" (118mm)
VCT-240HE91	10" (240mm) Horizontal 90° Elbow	14.9" (377mm)	14.9" (377mm)	4.6" (118mm)
VCT-360HE91	15" (360mm) Horizontal 90° Elbow	19.4" (493mm)	19.4" (493mm)	4.6" (118mm)
VCT-120HE91C	Cover for 5" (120mm) Horizontal 90° Elbow	10.1" (258mm)	10.1" (258mm)	0.5" (12mm)
VCT-240HE91C	Cover for 10" (240mm) Horizontal 90° Elbow	14.9" (377mm)	14.9" (377mm)	0.5" (12mm)
VCT-360HE91C	Cover for 15" (360mm) Horizontal 90° Elbow	19.4" (493mm)	19.4" (493mm)	0.5" (12mm)



**Horizontal Tee**



**Description**

Horizontal tees connect to three straight channel sections or other transitional fittings to create a horizontal branch in a fiber routing system.

**Features**

- Maintains minimum cable bend radius requirements
- Tool-free installation
- Lightweight, flame-retardant PVC (V-0 rated)
- Requires couplers for connection (sold separately)

Item Number	Description	Dimensions (L x W x H)		
VCT-120HT1	5" (120mm) Horizontal Tee	13.9" (356mm)	10.1" (256mm)	4.6" (118mm)
VCT-240HT1	10" (240mm) Horizontal Tee	18.7" (476mm)	14.8" (276mm)	4.6" (118mm)
VCT-360HT1	15" (360mm) Horizontal Tee	23.2" (590mm)	19.4" (493mm)	4.6" (118mm)
VCT-240AT	10" (240mm) x 5" (120mm) Horizontal Tee	14.7" (372mm)	13.8" (350mm)	4.6" (118mm)
VCT-120HT1C	Cover for 5" (120mm) Horizontal Tee	13.9" (356mm)	10.1" (256mm)	0.5" (12mm)
VCT-240HT1C	Cover for 10" (240mm) Horizontal Tee	18.7" (476mm)	14.8" (276mm)	0.5" (12mm)
VCT-360HT1C	Cover for 15" (360mm) Horizontal Tee	23.2" (590mm)	19.4" (493mm)	0.5" (12mm)
VCT-240ATC	Cover for 10" (240mm) x 5" (120mm) Horizontal Tee	14.7" (372mm)	13.8" (350mm)	0.5" (12mm)

**Horizontal Cross**



**Description**

Horizontal crosses connect to four straight channel sections or other transitional fittings to create a four-way intersection with two exits in a fiber routing system.

**Features**

- Maintains minimum cable bend radius requirements
- Tool-free installation
- Lightweight, flame-retardant PVC (V-0 rated)
- Requires couplers for connection (sold separately)

Item Number	Description	Dimensions (L x W x H)		
VCT-120HC1	5" (120mm) Horizontal Cross	13.9" (356mm)	13.9" (356mm)	4.6" (118mm)
VCT-240HC1	10" (240mm) Horizontal Cross	18.7" (476mm)	18.7" (476mm)	4.6" (118mm)
VCT-360HC1	15" (360mm) Horizontal Cross	23.2" (590mm)	23.2" (590mm)	4.6" (118mm)
VCT-240AC	10" (240mm) x 5" (120mm) Horizontal Cross	18.7" (476mm)	14" (356mm)	4.6" (118mm)
VCT-120HC1C	Cover for 5" (120mm) Horizontal Cross	13.9" (356mm)	13.9" (356mm)	0.5" (12mm)
VCT-240HC1C	Cover for 10" (240mm) Horizontal Cross	18.7" (476mm)	18.7" (476mm)	0.5" (12mm)
VCT-360HC1C	Cover for 15" (360mm) Horizontal Cross	23.2" (590mm)	23.2" (590mm)	0.5" (12mm)
VCT-240ACC	Cover for 10" (240mm) x 5" (120mm) Horizontal Cross	18.7" (476mm)	14" (356mm)	0.5" (12mm)

**45° Up Elbow**



**Description**

Connects to a straight channel section to create a 45-degree upward angle from a horizontal run. Use with a 45-degree down elbow to change the elevation of a fiber routing system.

**Features**

- Maintains minimum cable bend radius requirements
- Tool-free installation
- Lightweight, flame-retardant PVC (V-0 rated)
- Requires couplers for connection (sold separately)

Item Number	Description	Dimensions (L x W x H)		
VCT-120UE41	5" (120mm) 45° Up Elbow	8.2" (210mm)	6.1" (155mm)	6.6" (167mm)
VCT-240UE41	10" (240mm) 45° Up Elbow	8.2" (210mm)	10.9" (277mm)	6.6" (167mm)
VCT-360UE41	15" (360mm) 45° Up Elbow	8.1" (205mm)	15.6" (396mm)	6.6" (167mm)
VCT-120UE41C	Cover for 5" (120mm) 45° Up Elbow	5.6" (143mm)	6.5" (166mm)	3.7" (95mm)
VCT-240UE41C	Cover for 10" (240mm) 45° Up Elbow	11.3" (286mm)	5.6" (143mm)	3.7" (95mm)
VCT-360UE41C	Cover for 15" (360mm) 45° Up Elbow	16.0" (406.5mm)	5.3" (134mm)	3.6" (91mm)

**45° Down Elbow**



**Description**

Connects to a straight channel section to create a 45-degree downward angle from a horizontal run. Use with a 45-degree up elbow to change the elevation of a fiber routing system.

**Features**

- Maintains minimum cable bend radius requirements
- Tool-free installation
- Lightweight, flame-retardant PVC (V-0 rated)
- Requires couplers for connection (sold separately)

Item Number	Description	Dimensions (L x W x H)		
VCT-120DE41	5" (120mm) 45° Down Elbow	7.6" (193mm)	6.4" (157mm)	6.4" (162mm)
VCT-240DE41	10" (240mm) 45° Down Elbow	7.4" (187mm)	10.9" (277mm)	6.3" (160mm)
VCT-360DE41	15" (360mm) 45° Down Elbow	7.3" (185mm)	15.6" (396mm)	6.3" (160mm)
VCT-120DE41C	Cover for 5" (120mm) 45° Down Elbow	7.8" (199mm)	6.5" (166mm)	3.9" (100mm)
VCT-240DE41C	Cover for 10" (240mm) 45° Down Elbow	11.3" (286mm)	7.8" (199mm)	3.9" (100mm)
VCT-360DE41C	Cover for 15" (360mm) 45° Down Elbow	15.7" (398.5mm)	7.8" (199mm)	3.7" (95mm)

**Reducer**



**Description**

Reducers provide a transition from one tray width to another and can connect to straight channel sections or other transitional fittings.

**Features**

- Tool-free installation
- Lightweight, flame-retardant PVC (V-0 rated)
- Requires couplers for connection (sold separately)

Item Number	Description	Dimensions (L x W x H)		
VCT-240AS	10" (240mm) to 5" (120mm) Reducer	10.6" (277mm)	8.1" (205mm)	4.6" (118mm)
VCT-360AS	15" (360mm) to 10" (240mm) Reducer	15.6" (396mm)	8.1" (205mm)	4.6" (118mm)

**Coupler**



**Description**

Couplers are used to quickly and easily connect straight channel sections and/or transitional fittings. Completely tool-free installation - simply hand-tighten the thumb screws to secure.

**Features**

- Tool-free installation
- Plastic thumb screws included (quantity varies by coupler size)
- Lightweight, flame-retardant PVC (V-0 rated)

Item Number	Description	Dimensions (L x W x H)		
VCT-120CNC	5" (120mm) Coupler	6.7" (167mm)	3.3" (84mm)	4.8" (118mm)
VCT-240CNC	10" (240mm) Coupler	11.4" (287mm)	3.3" (84mm)	4.8" (118mm)
VCT-360CNA	15" (360mm) Coupler (10 pcs of plastic thumb screws and square nuts included)	16.5" (420mm)	3.9" (100mm)	5.4" (138mm)

**End Cap**



**Description**

End caps close off terminal ends of a straight channel or transitional fitting to protect cables and provide a finished look.

**Features**

- Tool-free installation
- 4 sets of plastic t-bolts and hex nuts included
- Lightweight, flame-retardant PVC (V-0 rated)

Item Number	Description	Dimensions (L x W x H)		
VCT-120EC	5" (120mm) End Cap	5.9" (150mm)	4.5" (115mm)	1.0" (25mm)
VCT-240EC	10" (240mm) End Cap	10.6" (270mm)	4.5" (115mm)	1.0" (25mm)
VCT-360EC	15" (360mm) End Cap	15.3" (390mm)	4.5" (115mm)	1.0" (25mm)

**Spill Over**



**Description**

Side mounted spill overs provide a vertical exit from a horizontal fiber tray run, allowing cables to route into cabinets and racks below. Tool-free installation allows this spill over to be located and/or repositioned anywhere along a straight channel section.

**Features**

- Maintains minimum cable bend radius requirements
- Tool-free installation
- Lightweight, flame-retardant PVC (V-0 rated)
- Includes 1 set of plastic T-bolts and hex nuts
- Snap-on cover included

Item Number	Description	Dimensions (L x W x H)		
VCT-090SD	3.5" (90mm) W Spill Over	7.7" (196mm)	7.3" (185mm)	5.6" (142mm)
VCT-130SD	5" (120mm) W Spill Over	8.8" (226mm)	7.5" (190mm)	5.5" (140mm)

**Vertical Tee**



**Description**

Vertical tees connect to straight channel sections or other transitional fittings to provide a 90-degree vertical drop in a fiber routing system.

**Features**

- Maintains minimum cable bend radius requirements
- Tool-free installation
- Lightweight, flame-retardant PVC (V-0 rated)
- Requires couplers for connection (sold separately)

Item Number	Description	Dimensions (L x W x H)		
VCT-120VT1	5" (120mm) Vertical Tee	11.8" (300mm)	7.8" (199mm)	7.1" (180mm)
VCT-240AV	10" (240mm) to 5" (120mm) Vertical Tee	11.8" (300mm)	10.9" (277mm)	7.5" (190mm)

**Flexible Hose**



**Description**

Use this Flexible Hose to protect cables throughout a vertical drop from an overhead fiber routing system into a cabinet or rack. The hose is corrugated to provide maximum flexibility and is split lengthwise for easy cable insertion or removal.

**Features**

- 10ft (3m) length can be cut to size
- Requires VCT-050U4 Hose Bracket and VCT-090SD or VCT-120SD Spill Over for installation (each sold separately)
- Tool-free installation
- Lightweight, flame-retardant PVC (V-0 rated)

Item Number	Description	Dimensions (L x W x H)		
VCT-050H3	Flexible Hose (10ft)	10' (3000mm)	2.0" (50mm)	2.0" (50mm)

**Hose Bracket**



**Description**

Hose Brackets secure the Flexible Hose to the Spill Over in a vertical drop from an overhead fiber tray run to a cabinet or rack below.

**Features**

- Includes 4 brackets
- Requires VCT-050U4 Hose Bracket and VCT-090SD or VCT-120SD Spill Over for installation (each sold separately)
- Tool-free installation
- Lightweight, flame-retardant PVD (V-0 rated)

Item Number	Description	Dimensions (L x W x H)		
VCT-050U4	Hose Bracket (4 pcs)	2.3" (58mm)	2.4" (61mm)	0.8" (20mm)



**Trumpet**



**Description**

Trumpet spillouts are used to limit the bend radius of cables to 2" (50mm) when exiting from a straight channel or other transitional fitting.

**Features**

- Tool-free installation
- 4 sets of plastic t-bolts and hex nuts included
- Lightweight, flame-retardant PVC (V-0 rated)

Item Number	Description	Dimensions (L x W x H)		
VCT-120TS	5" (120mm) Trumpet	7.0" (179mm)	4.9" (125mm)	2.8" (70mm)
VCT-240TS	10" (240mm) Trumpet	12.7" (323mm)	5.4" (140mm)	2.2" (64mm)

**Cable Tray to Ladder Support Bracket**



**Description**

Suspend a fiber tray run from a ladder rack with this support kit. Position the bracket anywhere along a ladder stringer and secure with the included hardware.

NOTE: fiber cable tray should be supported at least every 6.5 ft (2m) and at every coupler location.

**Features**

- All required installation hardware included
- 8" threaded rod included (can be cut to size in the field)
- No drilling required

Item Number	Description
VCT-120SSS	5" (120mm) Cable Tray to Ladder Support Bracket
VCT-240SSS	10" (240mm) Cable Tray to Ladder Support Bracket
VCT-360SSS	15" (360mm) Cable Tray to Ladder Support Bracket

**Cabinet Standoff Kit**



**Description**

Support a fiber tray run above a row of cabinets using this standoff kit. Support brackets can be positioned anywhere along a straight channel or transitional fitting.

NOTE: fiber cable tray should be supported at least every 6.5 ft (2m) and at every coupler location.

**Features**

- Assembly hardware included
- Drilling into cable tray not required
- Hardware for securing to cabinet not included

Item Number	Description
VCT-120SO	Cabinet Standoff Kit for 5" (120mm) Cable Tray
VCT-240SO	Cabinet Standoff Kit for 10" (240mm) Cable Tray
VCT-360SO	Cabinet Standoff Kit for 15" (360mm) Cable Tray

**Dual Level Cabinet Standoff**



**Description**

Support both a 5" (120mm) fiber cable tray and a wire basket tray with this single standoff support kit. Easily mounts to the floor or to the top of a cabinet.

**Features**

- Tool-free connection to fiber tray
- Fiber cable tray mounting height is adjustable

Item Number	Description
VCT-350DSL	Dual Level Cabinet Standoff - 15" (360mm) W x 20" (480mm) H
VCT-500DSL	Dual Level Cabinet Standoff - 20" (480mm) W x 20" (480mm) H
VCT-750DSL	Dual Level Cabinet Standoff - 20" (480mm) W x 30" (600mm) H

**Trapeze**



**Description**

Suspend a fiber tray run from the ceiling with this trapeze support kit. Includes 2 pcs of threaded rod and all hardware required for installation.

NOTE: fiber cable tray should be supported at least every 6.5 ft (2m) and at every coupler location.

**Features**

- Install at any location along a straight channel or transitional fitting
- Drilling into cable tray not required
- 2 pcs of M20 threaded rod included
- Includes all required hardware for installation

Item Number	Description
VCT-120CS10	3' (1m) Trapeze for 5" (120mm) Cable Tray
VCT-120CS15	5' (1.5m) Trapeze for 5" (120mm) Cable Tray
VCT-120CS20	6.5' (2m) Trapeze for 5" (120mm) Cable Tray
VCT-120CS30	10' (3m) Trapeze for 5" (120mm) Cable Tray
VCT-240CS10	3' (1m) Trapeze for 10" (240mm) Cable Tray
VCT-240CS15	5' (1.5m) Trapeze for 10" (240mm) Cable Tray
VCT-240CS20	6.5' (2m) Trapeze for 10" (240mm) Cable Tray
VCT-240CS30	10' (3m) Trapeze for 10" (240mm) Cable Tray
VCT-360CS10	3' (1m) Trapeze for 15" (360mm) Cable Tray
VCT-360CS15	5' (1.5m) Trapeze for 15" (360mm) Cable Tray
VCT-360CS20	6.5' (2m) Trapeze for 15" (360mm) Cable Tray
VCT-360CS30	10' (3m) Trapeze for 15" (360mm) Cable Tray

**Plastic Thumb Screw**



**Description**

Thumb screws for fiber cable tray assembly

Item Number	Description
VCT-HF01	Plastic Thumb Screw

**Plastic Square Nut**



**Description**

Square nuts for fiber cable tray assembly

Item Number	Description
VCT-HF02	Plastic Square Nut

**Plastic T-bolt**



**Description**

T-bolts for fiber cable tray assembly

Item Number	Description
VCT-HF03	Plastic T-bolt

**Plastic Hex Nut**



**Description**

Hex nuts for fiber cable tray assembly

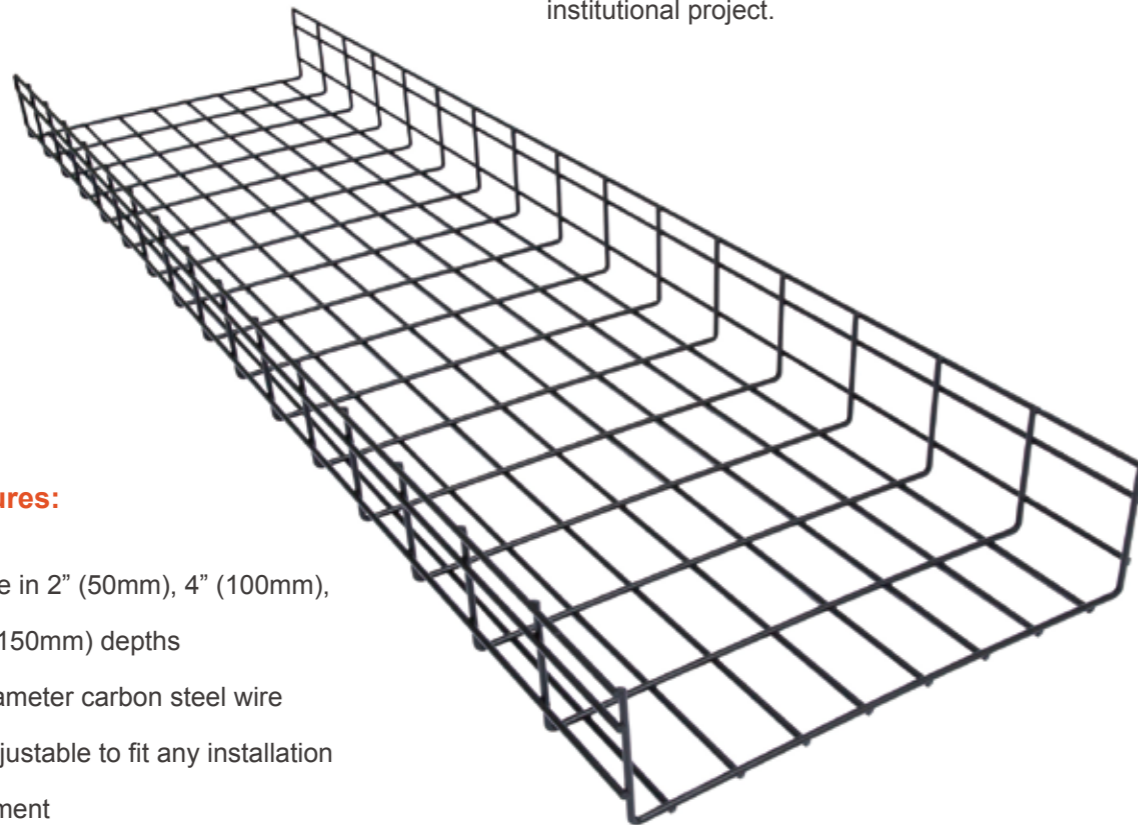
Item Number	Description
VCT-HF04	Plastic Hex Nut



## Introduction

Vericom's Wire Basket Tray System is a highly configurable and adaptable cable runway solution designed to meet the needs of a variety of applications, from short cable runs in a data closet to high-density data center installations. Featuring a rigid construction and a corrosion-resistant powder coated finish, our trays offer the strength and

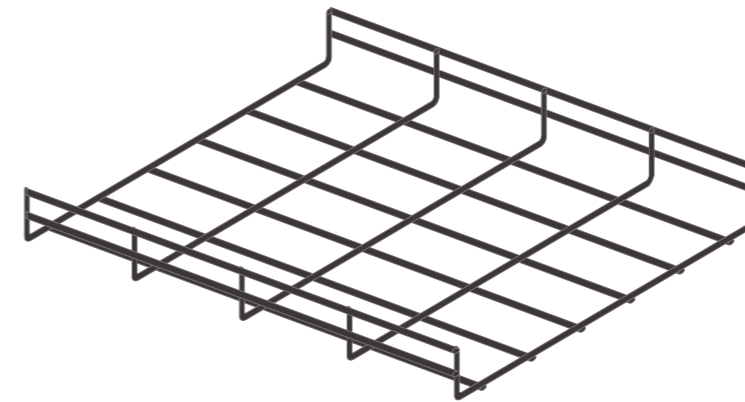
durability to protect valuable network communications cabling, simplify system extensions, and reduce the cost of maintenance. And with an extensive portfolio of available tray sizes, splicing accessories, and support structures, the Vericom Wire Basket Tray System is a great choice for your next telecommunications, data center, enterprise, or institutional project.



### Key Features:

- Available in 2" (50mm), 4" (100mm), and 6" (150mm) depths
- 5mm diameter carbon steel wire
- Field-adjustable to fit any installation environment
- Conforms to IEC 61537 international standards for cable tray systems

## 50mm Deep Basket Tray

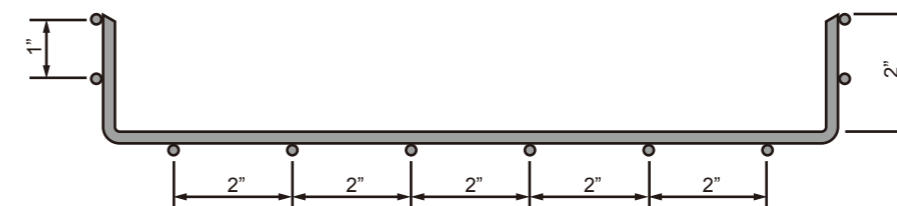


### Features

- Height: 2.36" (60mm)
- Length: 118.11" (3m)
- Available Widths: 2, 4, 6, 8, 12, 16, 20, & 24" (50, 100, 150, 200, 300, 400, 500, & 600mm)
- Wire Dia.: 0.197" (5mm)
- Finish: Black Powder Coat
- IEC 61537 Compliant

Item Number	Width		Weight		Load (lbs/ft)*		Load (kg/m)*		Cable Fill**		Splice Qty
	in	mm	lbs	kgs	5 ft span	6.5 ft span	1.5m span	2m span	CAT6***	CAT6A***	
VBT-ST05050-BP	2	50	6.70	3.04	n/a	n/a	n/a	n/a	49	35	2
VBT-ST05100-BP	4	100	8.25	3.74	18.14	14.78	26.96	21.97	98	71	3
VBT-ST05150-BP	6	150	9.81	4.45	36.29	28.22	53.93	41.94	148	106	3
VBT-ST05200-BP	8	200	11.38	5.16	55.10	38.3	81.89	56.92	197	142	3
VBT-ST05300-BP	12	300	14.44	6.55	55.10	40.99	81.89	60.92	295	212	4
VBT-ST05400-BP	16	400	17.53	7.98	66.52	45.02	98.86	66.91	393	283	4
VBT-ST05500-BP	20	500	20.81	9.35	66.52	49.73	98.86	73.91	492	354	4
VBT-ST05600-BP	24	600	23.70	10.75	68.54	47.04	101.87	69.91	590	425	4

\*Load calculations based on IEC 61537-2007 standards for cable tray systems testing.  
 \*\*Cable Fill capacity based on NEC allowable fill of 50%.  
 \*\*\*CAT6 rate based on 0.224" diameter; CAT6A rate based on 0.264" diameter. Actual diameters vary by cable manufacturer.



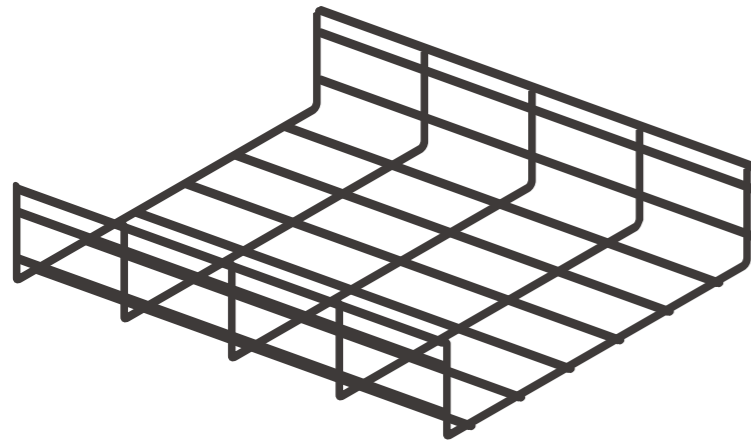
Section View	Width (inch)
	2
	4
	6
	8
	12
	16
	20
	24

# Wire Basket Tray

## Basket Tray



### 100mm Deep Basket Tray

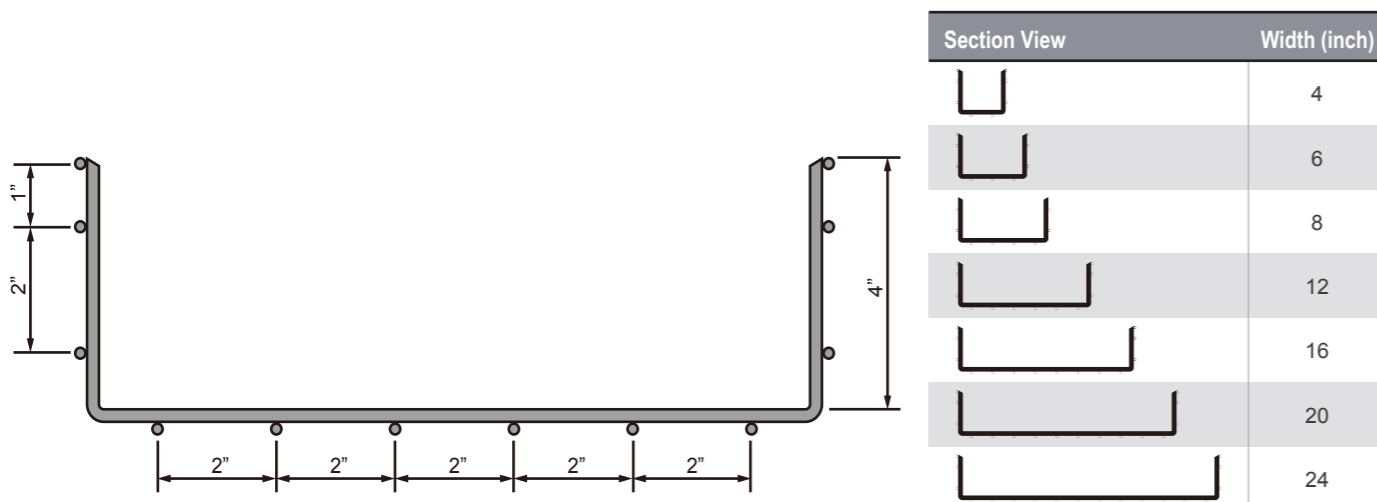


#### Features

- Height: 4.33" (110mm)
- Length: 118.11" (3m)
- Available Widths: 4, 6, 8, 12, 16, 20, & 24" (100, 150, 200, 300, 400, 500, & 600mm)
- Wire Dia.: 0.197" (5mm)
- Finish: Black Powder Coat
- IEC 61537 Compliant

Item Number	Width		Weight		Load (lbs/ft)*		Load (kg/m)*		Cable Fill**		Splice Qty
	in	mm	lbs	kgs	5 ft span	6.5 ft span	1.5m span	2m span	CAT6***	CAT6A***	
<b>VBT-ST10100-BP</b>	4	100	11.35	5.15	22.85	18.82	33.96	27.97	197	142	3
<b>VBT-ST10150-BP</b>	6	150	12.90	5.85	45.69	34.94	67.91	51.93	295	212	3
<b>VBT-ST10200-BP</b>	8	200	14.44	6.55	68.54	47.71	101.87	70.91	393	283	3
<b>VBT-ST10300-BP</b>	12	300	17.53	7.95	68.54	51.07	101.87	75.90	590	425	4
<b>VBT-ST10400-BP</b>	16	400	20.61	9.35	83.32	56.45	123.83	83.90	787	566	4
<b>VBT-ST10500-BP</b>	20	500	23.70	10.75	83.32	61.82	123.83	91.88	983	708	4
<b>VBT-ST10600-BP</b>	24	600	26.79	12.15	86.01	53.76	127.83	79.90	1180	849	4

\*Load calculations based on IEC 61537-2007 standards for cable tray systems testing.  
 \*\*Cable Fill capacity based on NEC allowable fill of 50%.  
 \*\*\*CAT6 rate based on 0.224" diameter; CAT6A rate based on 0.264" diameter. Actual diameters vary by cable manufacturer.



# Wire Basket Tray

## Basket Tray



### 150mm Deep Basket Tray

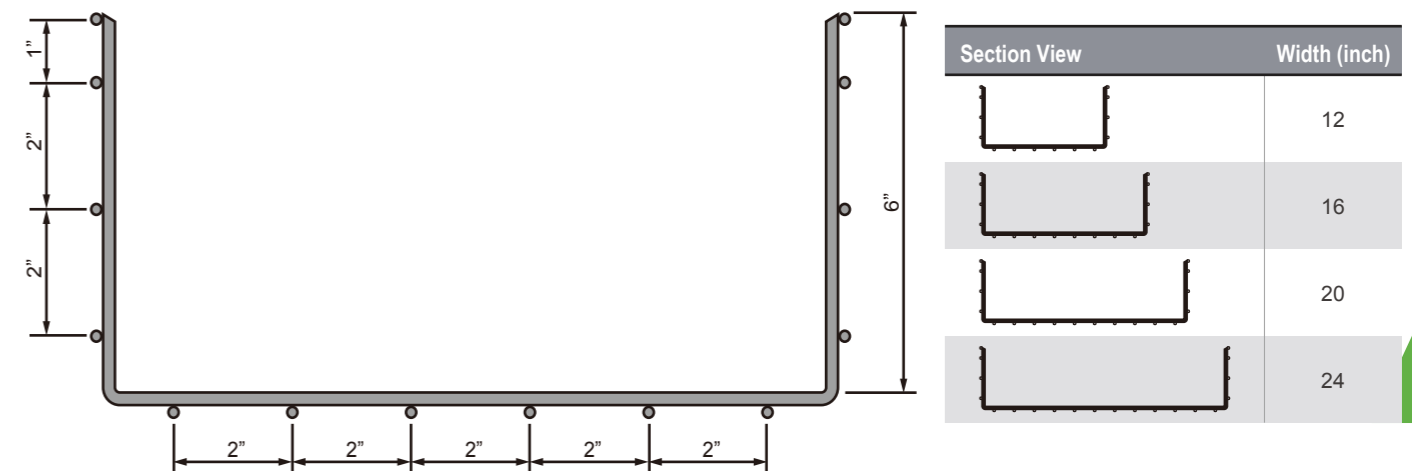


#### Features

- Height: 6.3" (160mm)
- Length: 118.11" (3m)
- Available Widths: 12, 16, 20, & 24" (300, 400, 500, & 600mm)
- Wire Dia.: 0.197" (5mm)
- Finish: Black Powder Coat
- IEC 61537 Compliant

Item Number	Width		Weight		Load (lbs/ft)*		Load (kg/m)*		Cable Fill**		Splice Qty
	in	mm	lbs	kgs	5 ft span	6.5 ft span	1.5m span	2m span	CAT6***	CAT6A***	
<b>VBT-ST15300-BP</b>	12	300	20.61	9.35	78.82	58.73	117.14	87.29	885	637	4
<b>VBT-ST15400-BP</b>	16	400	23.70	10.75	95.82	64.92	142.41	96.49	1180	849	4
<b>VBT-ST15500-BP</b>	20	500	26.79	12.15	95.82	71.09	142.41	105.66	1475	1062	4
<b>VBT-ST15600-BP</b>	24	600	29.87	13.55	98.91	61.82	147	91.88	1770	1274	4

\*Load calculations based on IEC 61537-2007 standards for cable tray systems testing.  
 \*\*Cable Fill capacity based on NEC allowable fill of 50%.  
 \*\*\*CAT6 rate based on 0.224" diameter; CAT6A rate based on 0.264" diameter. Actual diameters vary by cable manufacturer.





**Washer Splice Kit**



**Description**

Washer Splice Kits are used to connect two pieces of basket tray. Each 4-piece kit includes a top splice washer, bottom splice washer, M6x20 carriage bolt, and a M6 flange nut.

**Features**

- Compatible with all tray sizes
- Black powder coat finish
- 50 sets per bag

Item Number	Description
VCT-120SSS	5" (120mm) Cable Tray to Ladder Support Bracket

**Snap-in Splice Clip**



**Description**

This toolless splice clip offers fast and easy installation when connecting two sections of basket tray.

**Features**

- Compatible with all tray sizes
- Toolless installation
- Black powder coat finish
- 50 sets per bag

Item Number	Description	Dimensions (L x W x H)		
VBT-SA-BP-B50	Snap-in Splice Clip	2.48" (62.99mm)	2.17" (55.12mm)	0.41" (10.41mm)

**Splicing Chart (number of splices required per joint)**

Tray Height	Tray Width - number of splices							
	2 in (50 mm)	4 in (100 mm)	6 in (150 mm)	8 in (200 mm)	12 in (300 mm)	16 in (400 mm)	20 in (500 mm)	24 in (600 mm)
2 in	2	3	3	3	4	4	4	4
4 in	n/a	3	3	3	4	4	4	4
6 in	n/a	n/a	n/a	n/a	4	4	4	4

**Quick Splice Bar**



**Description**

Quick Splice Bars are a convenient option for connecting two straight pieces of the same width basket tray. No screws, nuts, or other hardware required.

**Features**

- Compatible with all tray sizes
- Fast and easy installation (no additional hardware required)
- Great for high load capacity installations
- Black powder coat finish
- 50 pcs per bag

Item Number	Description	Dimensions (L x W x H)		
VBT-SQ-BP-B50	Quick Splice Bar	10.7" (271.78mm)	1" (25.4mm)	0.6" (15.24mm)

**Bar Splice Kit**



**Description**

The Bar Splice Kit provides additional strength when joining two basket trays on a horizontal plane. Each kit includes one straight bar splice and 3 sets of M6x20 carriage bolts, M6 nuts, and top splice washers.

**Features**

- For use on sides of tray only
- Compatible with all tray sizes
- Black powder coat finish
- 10 sets per bag

Item Number	Description	Dimensions (L x W x H)		
VBT-SB-BP-B10	Bar Splice Kit	2.48" (62.99mm)	0.7" (18.03mm)	0.89" (22.61mm)

**Splicing Chart (number of splices required per joint)**

Tray Height	Tray Width - number of splices							
	2 in (50 mm)	4 in (100 mm)	6 in (150 mm)	8 in (200 mm)	12 in (300 mm)	16 in (400 mm)	20 in (500 mm)	24 in (600 mm)
2 in	2	3	3	3	4	4	4	4
4 in	n/a	3	3	3	4	4	4	4
6 in	n/a	n/a	n/a	n/a	4	4	4	4

**Corner Splice Kit**



**Description**

This kit provides support at horizontal 90 degree turns and tee junctions. Each kit includes one right-angle bar splice and four sets of M6x20 carriage bolts, M6 nuts, and top splice washers.

**Features**

- Compatible with all tray sizes
- Black powder coat finish
- Sold individually

Item Number	Description	Dimensions (L x W x H)		
<b>VBT-SC-BP</b>	Corner Splice Kit	5" (127mm)	5" (127mm)	0.75" (19.05mm)

**Radius Splice**



**Description**

Radius Splices are a fast and easy solution for maintaining minimum cable bend radius at 90 degree bends, tees, and cross intersections. Each kit includes one radius bar and four sets of M6x20 carriage bolts, M6 nuts, and top splice washers.

**Features**

- Reduces field fabrication time
- Provides a 5.5" (139.7mm) radius at tee and cross intersections
- Compatible with all tray widths
- Available for 2" (50mm), 4" (100mm), and 6" (150mm) tray depths
- Black powder coat finish
- Sold individually

Item Number	Description	Dimensions (L x W x H)		
<b>VBT-SR05140-BP</b>	Radius Splice for 2" (50mm) Deep Tray	11.42" (290.07mm)	11.42" (290.07mm)	1.97" (50.04mm)
<b>VBT-SR10140-BP</b>	Radius Splice for 4" (100mm) Deep Tray	11.42" (290.07mm)	11.42" (290.07mm)	3.94" (100.08mm)
<b>VBT-SR15140-BP</b>	Radius Splice for 6" (150mm) Deep Tray	11.42" (290.07mm)	11.42" (290.07mm)	5.91" (150.11mm)

**Center Clip**



**Description**

Center clips can be used to connect two sections of basket tray at any angle, to secure two halves of one section formed into a horizontal bend, or to create a center hanging support for ceiling mounting.

**Features**

- Compatible with all tray sizes
- Black powder coat finish
- 50 pcs per bag

Item Number	Description	Dimensions (L x W x H)		
<b>VBT-CC-BP-B50</b>	Center Clip	2.32" (58.93mm)	1.57" (39.88mm)	0.14" (3.54mm)



**L Bracket**



**Description**

L Brackets provide a secure method for mounting basket tray to a wall.

**Features**

- Helps maintain a consistent distance between the basket tray and a wall
- For use with 4" (100mm) to 16" (400mm) wide tray
- Compatible with all tray depths
- Black powder coat finish
- Hardware for mounting to wall not included
- Sold individually

Item Number	Description	Dimensions (L x W x H)		
<b>VBT-WL100-BP</b>	L Bracket for 4" (100mm) W Tray	7" (177.8mm)	2" (50.8mm)	7.1" (180.34mm)
<b>VBT-WL150-BP</b>	L Bracket for 6" (150mm) W Tray	9" (228.6mm)	2" (50.8mm)	7.1" (180.34mm)
<b>VBT-WL200-BP</b>	L Bracket for 8" (200mm) W Tray	11" (279.4mm)	2" (50.8mm)	7.1" (180.34mm)
<b>VBT-WL300-BP</b>	L Bracket for 12" (300mm) W Tray	15" (381mm)	2" (50.8mm)	7.1" (180.34mm)
<b>VBT-WL400-BP</b>	L Bracket for 16" (400mm) W Tray	19" (482.6mm)	2" (50.8mm)	7.1" (180.34mm)

**M-type L Bracket**



**Description**

The M-type L Bracket provides additional strength when mounting high capacity basket tray to a wall.

**Features**

- Helps maintain a consistent distance between the basket tray and a wall
- For use with 4" (100mm) to 16" (400mm) wide tray
- Compatible with all tray depths
- Black powder coat finish
- Hardware for mounting to wall not included
- Sold individually

Item Number	Description	Dimensions (L x W x H)		
<b>VBT-WM100-BP</b>	M-type L Bracket for 4" (100mm) W Tray	7" (177.8mm)	2.5" (63.5mm)	7.5" (190.5mm)
<b>VBT-WM150-BP</b>	M-type L Bracket for 6" (150mm) W Tray	9" (228.6mm)	2.5" (63.5mm)	7.5" (190.5mm)
<b>VBT-WM200-BP</b>	M-type L Bracket for 8" (200mm) W Tray	11" (279.4mm)	2.5" (63.5mm)	7.5" (190.5mm)
<b>VBT-WM300-BP</b>	M-type L Bracket for 12" (300mm) W Tray	15" (381mm)	2.5" (63.5mm)	7.5" (190.5mm)
<b>VBT-WM400-BP</b>	M-type L Bracket for 16" (400mm) W Tray	19" (482.6mm)	2.5" (63.5mm)	7.5" (190.5mm)

**Shelf Wall Bracket**



**Description**

Shelf Wall Brackets are a heavy-duty option for mounting high capacity basket tray to a wall.

**Features**

- Heavy duty construction for high density installations
- Helps maintain a consistent distance between the basket tray and a wall
- For use with 4" (100mm) to 16" (400mm) wide tray
- Compatible with all tray depths
- Black powder coat finish
- Hardware for mounting to wall not included
- Sold individually

Item Number	Description	Dimensions (L x W x H)		
<b>VBT-WS100-BP</b>	Shelf Wall Bracket for 4" (100mm) W Tray	7.9" (200.66mm)	2" (50.8mm)	4.5" (114.3mm)
<b>VBT-WS150-BP</b>	Shelf Wall Bracket for 6" (150mm) W Tray	9.8" (248.92mm)	2" (50.8mm)	4.5" (114.3mm)
<b>VBT-WS200-BP</b>	Shelf Wall Bracket for 8" (200mm) W Tray	11.8" (299.72mm)	2" (50.8mm)	5" (127mm)
<b>VBT-WS300-BP</b>	Shelf Wall Bracket for 12" (300mm) W Tray	15.7" (398.78mm)	2" (50.8mm)	6" (152.4mm)
<b>VBT-WS400-BP</b>	Shelf Wall Bracket for 16" (400mm) W Tray	19.7" (500.38mm)	2" (50.8mm)	6" (152.4mm)

**Wall Mount Bracket**



**Description**

This wall mount bracket is an ideal option for mounting 2" and 4" wide basket tray where wall space is limited.

**Features**

- Multiple screw hole locations
- Mount to a wall, strut or cabinet
- Black powder coat finish
- Hardware for mounting to wall not included
- Sold individually

Item Number	Description	Dimensions (L x W x H)		
<b>VBT-WZ-BP</b>	Wall Mount Bracket	3.7" (93.98mm)	0.9" (22.86mm)	3" (76.2mm)

## Wire Basket Tray Wall Mount Supports



### Wall Clip



#### Description

Wall clips allow a 2" or 4" basket tray to be mounted flush against a wall.

#### Features

- For light load installations
- Mount to a wall, strut, or cabinet
- Black powder coat finish
- Hardware for mounting to wall not included
- Sold individually

Item Number	Description	Dimensions (L x W x H)		
VBT-WC-BP	Wall Clip	1.6" (40.64mm)	1.4" (35.56mm)	1.5" (38.1mm)

## Wire Basket Tray Ceiling Mount Supports



### Cross Bar



#### Description

Cross bars can be suspended from the ceiling to provide overhead support for basket tray runs.

#### Features

- Compatible with threaded rod up to 3/8" diameter (not included)
- Secures basket tray without screws or clamps
- For use with 4" (100mm) to 24" (600mm) wide basket tray
- Black powder coat finish
- Sold individually

Item Number	Description	Dimensions (L x W x H)		
VBT-BU100-BP	Cross Bar for 4" (100mm) W Tray	7.1" (180.34mm)	2" (50.8mm)	0.8" (20.32mm)
VBT-BU200-BP	Cross Bar for 8" (200mm) W Tray	11" (279.4mm)	2" (50.8mm)	0.8" (20.32mm)
VBT-BU300-BP	Cross Bar for 12" (300mm) W Tray	15" (381mm)	2" (50.8mm)	0.8" (20.32mm)
VBT-BU400-BP	Cross Bar for 16" (400mm) W Tray	18.9" (480.06mm)	2" (50.8mm)	0.8" (20.32mm)
VBT-BU500-BP	Cross Bar for 20" (500mm) W Tray	22.8" (579.12mm)	2" (50.8mm)	0.8" (20.32mm)
VBT-BU600-BP	Cross Bar for 24" (600mm) W Tray	26.8" (680.72mm)	2" (50.8mm)	0.8" (20.32mm)

### M-Type Cross Bar



#### Description

M-type cross bars provide additional strength when suspending high capacity basket tray from the ceiling.

#### Features

- Compatible with threaded rod up to 3/8" diameter (not included)
- Secures basket tray without screws or clamps
- For use with 4" (100mm) to 24" (600mm) wide basket tray
- Black powder coat finish
- Sold individually

Item Number	Description	Dimensions (L x W x H)		
VBT-BM100-BP	M-Type Cross Bar for 4" (100mm) W Tray	7.1" (180.34mm)	2.5" (63.5mm)	0.8" (20.32mm)
VBT-BM200-BP	M-Type Cross Bar for 8" (200mm) W Tray	11" (279.4mm)	2.5" (63.5mm)	0.8" (20.32mm)
VBT-BM300-BP	M-Type Cross Bar for 12" (300mm) W Tray	15" (381mm)	2.5" (63.5mm)	0.8" (20.32mm)
VBT-BM400-BP	M-Type Cross Bar for 16" (400mm) W Tray	18.9" (480.06mm)	2.5" (63.5mm)	0.8" (20.32mm)
VBT-BM500-BP	M-Type Cross Bar for 20" (500mm) W Tray	22.8" (579.12mm)	2.5" (63.5mm)	0.8" (20.32mm)
VBT-BM600-BP	M-Type Cross Bar for 24" (600mm) W Tray	26.8" (680.72mm)	2.5" (63.5mm)	0.8" (20.32mm)

**Hanging Bracket**



**Description**

This bracket is used to suspend 2" wide basket tray from the ceiling and offers tool-free and hardware-free connection to the tray.

**Features**

- For use with 2" (50mm) wide basket tray only
- Compatible with threaded rod up to 3/8" in diameter (not included)
- Secures basket tray without screws or clamps
- Black powder coat finish
- Sold individually

Item Number	Description	Dimensions (L x W x H)		
VBT-HB-BP	Hanging Bracket	2.9" (73.66mm)	1.2" (30.48mm)	1.2" (30.48mm)

**Hanging Clip**



**Description**

Hanging clips are a cost-effective way to suspend basket tray from the ceiling. Two clips are required per support location.

**Features**

- For use with any basket tray up to 12" (300mm) wide
- Compatible with threaded rod up to 3/8" in diameter (not included)
- Secures basket tray without screws or clamps
- Black powder coat finish
- Sold individually

Item Number	Description	Dimensions (L x W x H)		
VBT-HC-BP	Hanging Clip	1.5" (38.1mm)	1.4" (35.56mm)	1.7" (43.18mm)

**Stand-Off Kit**



**Description**

Stand-off kits provide a stable option for mounting basket tray to a floor or on top of a cabinet. Each kit includes two vertical posts, a cross bar, and all required assembly hardware.

**Features**

- Elevates basket tray above the mounting surface
- Hardware for mounting to floor/cabinet not included
- Black powder coat finish
- Sold individually

Item Number	Description	Dimensions (L x W x H)		
VBT-SO05100-BP	2" (50mm) Stand-Off Kit for 4" (100mm) W Tray	7.1" (180.34mm)	5" (127mm)	2.8" (71.12mm)
VBT-SO10100-BP	4" (100mm) Stand-Off Kit for 4" (100mm) W Tray	7.1" (180.34mm)	5" (127mm)	4.7" (119.38mm)
VBT-SO10200-BP	4" (100mm) Stand-Off Kit for 8" (200mm) W Tray	11" (279.4mm)	5" (127mm)	4.7" (119.38mm)
VBT-SO20300-BP	8" (200mm) Stand-Off Kit for 12" (300mm) W Tray	15" (381mm)	5" (127mm)	8.7" (220.98mm)
VBT-SO20400-BP	8" (200mm) Stand-Off Kit for 16" (400mm) W Tray	18.9" (480.06mm)	5" (127mm)	8.7" (220.98mm)
VBT-SO20500-BP	8" (200mm) Stand-Off Kit for 20" (500mm) W Tray	22.8" (579.12mm)	5" (127mm)	8.7" (220.98mm)
VBT-SO20600-BP	8" (200mm) Stand-Off Kit for 24" (600mm) W Tray	26.8" (680.72mm)	5" (127mm)	8.7" (220.98mm)

**Floor Mount Bracket**



**Description**

This bracket can be used to mount 2" wide basket tray to the floor or to the top of a cabinet.

**Features**

- For use with 2" (50mm) wide basket tray only
- Secures basket tray without screws or clamps
- Hardware for mounting to floor/cabinet not included
- Black powder coat finish
- Sold individually

Item Number	Description	Dimensions (L x W x H)		
VBT-FB050-BP	Floor Mount Bracket for 2" (50mm) W Tray	2.9" (73.66mm)	1.2" (30.48mm)	2.4" (60.96mm)



**Floor Mount Bracket**



**Description**

This bracket provides 2.5" of clearance above the floor or top of a cabinet

**Features**

- For use with 4", 6", or 8" (100mm, 150mm, 200mm) wide basket tray
- Secures basket tray without screws or clamps
- Hardware for mounting to floor/cabinet not included
- Black powder coat finish
- Sold individually

Item Number	Description	Dimensions (L x W x H)		
<b>VB-T-FB100-BP</b>	Floor Mount Bracket for 4" (100mm) W Tray	3.9" (99.06mm)	3.4" (86.36mm)	3.9" (99.06mm)
<b>VB-T-FB150-BP</b>	Floor Mount Bracket for 6" (150mm) W Tray	5.9" (149.86mm)	3.4" (86.36mm)	3.9" (99.06mm)
<b>VB-T-FB200-BP</b>	Floor Mount Bracket for 8" (200mm) W Tray	7.9" (200.66mm)	3.4" (86.36mm)	3.9" (99.06mm)

**Cable Drop**



**Description**

Maintain minimum cable bend radius when dropping cable from a basket tray run down to a cabinet.

**Features**

- Attaches to any basket tray - no hardware required
- Install at the side, middle, or at the end of a tray
- Tabs on cable drop secure position in tray
- Black powder coat finish
- Sold individually

Item Number	Description	Dimensions (L x W x H)		
<b>VB-T-CD45-BP</b>	Cable Drop 1.75" (45mm) W	8.5" (215.9mm)	1.7" (43.18mm)	2.6" (66.04mm)
<b>VB-T-CD90-BP</b>	Cable Drop 3.5" (90mm) W	8.5" (215.9mm)	3.6" (91.44mm)	2.6" (66.04mm)